

# SGLOCKS

Newsletter

JULY 2023

ISSUE 103

NEW

**VIRO**  
**ELECTRIC**  
**GATE**  
**LOCKS**

NEW

**SP PINS**  
**PINNING**  
**MATS**



**SGLOCK**  
& SECURITY

[www.sglocks.com.au](http://www.sglocks.com.au)



**SG 70**  
YEARS  
Established 1951



## '60mm' Backset MORTICE LOCK \*Matte Black\*

### PRODUCT DESCRIPTION

The LOCKTON 60mm mortice lock body and latch are made from 304 Stainless Steel, making them not only extremely tough and durable, but also extremely weather resistant to the harsh Australian environment. The LOCKTON Art. SG-ML60-BLK retrofits Australian standard 60mm mortice locks and comes with the required fixing screws, strikes, cylinder retaining pins, turn snib adapter, templates and instructions.

### PRODUCT SPECIFICATION

- 'Easy Change' Lock Functions - turn the dial on the side of the lock body (Consistent with the LOCKTON 23mm Backset & 30mm Backset Mortice Locks)
- Kick off function
- Accepts Australian oval cylinder
- Easy close action for electric strikes
- Uses industry standard cams
- 4-hour fire rating
- 5-year warranty
- Cycle tested
- Fits doors between 32-50 mm
- Suits left & right opening doors
- Electric strike compatible.



4- Hour Fire Rating



5 Year Warranty

Art. SG-ML60-BLK



## '60mm' Mortice Lock KIT1 (CLASSROOM) - Inc. Lock, Furniture & Cylinder \*Matte Black\*

### PRODUCT DESCRIPTION

- The LOCKTON 60mm Mortice Lock KIT 1 (CLASSROOM) contains a LOCKTON 60mm Backset Mortice Lock, Oval Cylinder and suitable furniture.

### Kit contains:

- 1 x 60mm Mortice Lock (Art. SG-ML60-BLK)
- 1 x External Lever with Cylinder Hole (Art. SQ-01C-25-BLK)
- 1 x Internal Lever Only (Art. SQ-02V-25-BLK)
- 1 x Oval Cylinder (Art. 410-BLK-KA1 or 410-BLK-KD)

### PRODUCT SPECIFICATION

- 'Easy Change' Lock Functions - turn the dial on the side of the lock body (Consistent with the LOCKTON 23mm Backset & 30mm Backset Mortice Locks)
- Accepts Australian oval cylinder
- Easy close action for electric strikes
- Uses industry standard cams
- 4-hour fire rating
- 5-year warranty
- Cycle tested
- Fits doors between 32-50 mm
- Suits left & right opening doors
- Electric strike compatible



4- Hour Fire Rating



5 Year Warranty

Art. ML60-KIT1-BLK

NEW

Now Available in KA & KD



## '60mm' Mortice Lock KIT2 (ENTRANCE) - Inc. Lock, Furniture & Cylinder \*Matte Black\*

### PRODUCT DESCRIPTION

The LOCKTON 60mm Mortice Lock KIT 2 (ENTRANCE) contains a LOCKTON 60mm Backset Mortice Lock, Oval Cylinder and suitable furniture.

### Kit contains:

- 1 x 60mm Mortice Lock (Art. SG-ML60-BLK)
- 1 x External Lever with Cylinder Hole (Art. SQ-01C-25-BLK)
- 1 x Internal Lever with Turn-Snib (Art. SQ-13V-25-BLK)
- 1 x Oval Cylinder (Art. 410-BLK-KA1 or 410-BLK-KD)

### PRODUCT SPECIFICATION

- 'Easy Change' Lock Functions - turn the dial on the side of the lock body (Consistent with the LOCKTON 23mm Backset & 30mm Backset Mortice Locks)
- Accepts Australian oval cylinder
- Easy close action for electric strikes
- Uses industry standard cams
- 4-hour fire rating
- 5-year warranty
- Cycle tested
- Fits doors between 32-50 mm
- Suits left & right opening doors
- Electric strike compatible



4- Hour Fire Rating



5 Year Warranty

Art. ML60-KIT2-BLK

NEW

Now Available in KA & KD

NEW

Round Rose OVAL CYLINDER ESCUTCHEON (50mm Dia.) - Suits 60mm Mortice Locks - \*Matte BLACK\*



Art. CYL-50-OVL-BLK

NEW

Round Rose TURN SNIB ESCUTCHEON (50mm Dia.) - Suits 60mm Mortice Locks - \*Matte BLACK\*



Art. CYL-50-SNB-BLK

NEW

Round Rose PASSAGE FURNITURE SET (53mm Dia.) - Suits 60mm Mortice Locks - \*Matte BLACK\*



Art. CYL-53-25-BLK

## 60mm Mortice Lock Range



Art. SQ-01C-25-BLK

### 'Square End' - EXT PLATE - CYL HOLE & LEVER - \*Matte BLACK\*

#### PRODUCT SPECIFICATION

- Dimensions (L x W x D): 165 x 46 x 18mm
- Mounting Screw Spacing: 150mm



Art. SQ-04C-BLK

### 'Square End' - EXT PLATE - CYL HOLE ONLY - \*Matte BLACK\*

#### PRODUCT SPECIFICATION

- Dimensions (L x W x D): 165 x 46 x 18mm
- Mounting Screw Spacing: 150mm



Art. SQ-03C-25-BLK

### 'Square End' - EXT PLATE - EMERGENCY TURN & LEVER - \*Matte BLACK\*

#### PRODUCT SPECIFICATION

- Dimensions (L x W x D): 165 x 46 x 18mm
- Mounting Screw Spacing: 150mm



Art. SQ-53C-25-BLK

### 'Square End' - EXT PLATE - EMERGENCY TURN, INDICATOR & LEVER - \*Matte BLACK\*

#### PRODUCT SPECIFICATION

- Dimensions (L x W x D): 165 x 46 x 18mm
- Mounting Screw Spacing: 150mm



Art. SQ-02C-25-BLK

### 'Square End' - EXT PLATE - LEVER ONLY - \*Matte BLACK\*

#### PRODUCT SPECIFICATION

- Dimensions (L x W x D): 165 x 46 x 18mm
- Mounting Screw Spacing: 150mm



Art. SQ-01V-25-BLK

### 'Square End' - INT PLATE - CYL HOLE & LEVER - \*Matte BLACK\*

#### PRODUCT SPECIFICATION

- Dimensions (L x W x D): 165 x 46 x 18mm
- Mounting Screw Spacing: 150mm



Art. SQ-04V-BLK

### 'Square End' - INT PLATE - CYL HOLE ONLY - \*Matte BLACK\*

#### PRODUCT SPECIFICATION

- Dimensions (L x W x D): 165 x 46 x 18mm
- Mounting Screw Spacing: 150mm



Art. SQ-02V-25-BLK

### 'Square End' - INT PLATE - LEVER ONLY - \*Matte BLACK\*

#### PRODUCT SPECIFICATION

- Dimensions (L x W x D): 165 x 46 x 18mm
- Mounting Screw Spacing: 150mm



Art. SQ-13V-25-BLK

### 'Square End' - INT PLATE - SNIB & LEVER - \*Matte BLACK\*

#### PRODUCT SPECIFICATION

- Dimensions (L x W x D): 165 x 46 x 18mm
- Mounting Screw Spacing: 150mm



Art ID: SQ-13VDA-25-BLK

### 'Square End' - INTERNAL PLATE - DA TURN SNIB & LEVER - \*Matte BLACK\*

#### PRODUCT SPECIFICATION

- Dimensions (L x W x D): 165 x 46 x 18mm
- Mounting Screw Spacing: 150mm



Art. SQ-06VDA-BLK

### 'Square End' - INTERNAL PLATE - DA TURN SNIB ONLY - \*Matte BLACK\*

#### PRODUCT SPECIFICATION

- Dimensions (L x W x D): 165 x 46 x 18mm
- Mounting Screw Spacing: 150mm



Art. FPML60-LT175-BLK

### Standard FACE PLATE (175mm Long) - Suits Art. SG-ML60 \*Matte BLACK\*

#### PRODUCT SPECIFICATION

- Dimensions: 175 x 25mm
- Plate Thickness: 2mm
- Material: Satin Stainless Steel
- Finish: Matte Black



Art. STML60-STD-BLK





## 23mm & 30mm Backset MORTICE LOCK \*Matte Black\*

### PRODUCT DESCRIPTION

- Retrofits most Australian 23mm & 30mm Backset Latching Mortice Locks
- Accepts Australian Oval Cylinders
- Includes Turn Snib Adapter, Fixing Screws, Strike Plate and Instructions
- Easy Close Action for Electric Strikes
- Uses Industry Standard Cams
- Electric Strike Compatible
- 5 Year Warranty

### PRODUCT SPECIFICATION

- Latch: Stainless Steel (Reversible)

### Supplied with the following

- 1 x Art. FPSBML-LT155-BLK Face Plate
- 1 x Art. STSBML-STD-BLK Strike



4- Hour  
Fire Rating



5 Year  
Warranty

**Art. SG-SBML23**

(for 23mm Mortice Lock)

**Art. SG-SBML30**

(for 30mm Mortice Lock)



## Mortice Lock KIT1 (CLASSROOM) - Inc. Lock, Furniture & Cylinder \*Matte Black\*

### PRODUCT DESCRIPTION

Suitable furniture for use in "Classroom" configuration.  
Can be ordered in 23mm or 30mm Backset.

### Kit contains:

- 1 x 23mm Narrow Stile Mortice Lock (Art. SG-SBML23-BLK)  
\*\*or\*\*
- 1 x 30mm Narrow Stile Mortice Lock (Art. SG-SBML30-BLK)
- 1 x External Lever with Cylinder Hole (Art. NSQ-01C-25-BLK)
- 1 x Internal Lever Only (Art. NSQ-02V-25-BLK)
- 1 x Oval Cylinder (Art. 410-BLK-KA1 or 410-BLK-KD)

### PRODUCT SPECIFICATION

- Retrofits most Narrow Stile Latching Mortice Locks & Furniture
- Accepts Australian Oval Cylinder, Includes LOCKTON KD Oval Cylinder
- Stainless Steel reversible Latch
- Easy close action for Electric Strikes
- Uses industry standard Cams
- Includes Turn-Snib Adaptor, Fixing Screws, Strike Plate & Instructions



4- Hour  
Fire Rating



5 Year  
Warranty

**NEW**

Now Available  
in KA & KD

**Art. SBML23-KIT1-BLK**  
(for 23mm Mortice Lock)

**Art. SBML30-KIT1-BLK**  
(for 30mm Mortice Lock)



## Mortice Lock KIT2 (ENTRANCE) - Inc. Lock, Furniture & Cylinder \*Matte Black\*

### PRODUCT DESCRIPTION

Suitable furniture for use in "Entrance" configuration.  
Can be ordered in 23mm or 30mm Backset.

### Kit contains:

- 1 x 23mm Narrow Stile Mortice Lock (Art. SG-SBML23-BLK)  
\*\*or\*\*
- 1 x 30mm Narrow Stile Mortice Lock (Art. SG-SBML30-BLK)
- 1 x External Lever with Cylinder Hole (Art. NSQ-01C-25-BLK)
- 1 x Internal Lever with Turn-Snib (Art. NSQ-13V-25-BLK)
- 1 x Oval Cylinder (Art. 410-BLK-KA1 or 410-BLK-KD)

### PRODUCT SPECIFICATION

- Retrofits most Australian Narrow Stile Latching Mortice Locks & Furniture
- Accepts Australian Oval Cylinder, Includes LOCKTON KD Oval Cylinder
- Stainless Steel reversible Latch
- Easy close action for Electric Strikes
- Uses industry standard Cams
- Includes Turn-Snib Adaptor, Fixing Screws, Strike Plate & Instructions



4- Hour  
Fire Rating



5 Year  
Warranty

**NEW**

Now Available  
in KA & KD

**Art. SBML23-KIT2-BLK**  
(for 23mm Mortice Lock)

**Art. SBML30-KIT2-BLK**  
(for 30mm Mortice Lock)

## 23 & 30mm Mortise Lock Range



Art. NSQ-01C-25-BLK

### Narrow Stile - Sq. End - EXT PLATE - CYL HOLE & LEVER - \*Matte BLACK\*

#### PRODUCT SPECIFICATION

- Dimensions (L x W x D): 185 x 25 x 14mm
- Mounting Screw Spacing: 160mm
- End Type: Square



Art. NSQ-04C-BLK

### Narrow Stile - Sq. End - EXT PLATE - CYL HOLE ONLY - \*Matte BLACK\*

#### PRODUCT SPECIFICATION

- Dimensions (L x W x D): 185 x 25 x 14mm
- Mounting Screw Spacing: 160mm
- End Type: Square



Art. NSQ-02C-25-BLK

### Narrow Stile - Sq. End - EXT PLATE - LEVER ONLY - \*Matte BLACK\*

#### PRODUCT SPECIFICATION

- Dimensions (L x W x D): 185 x 25 x 14mm
- Mounting Screw Spacing: 160mm
- End Type: Square



Art. NSQ-01V-25-BLK

### Narrow Stile - Sq. End - INT PLATE - CYL HOLE & LEVER - \*Matte BLACK\*

#### PRODUCT SPECIFICATION

- Dimensions (L x W x D): 185 x 25 x 14mm
- Mounting Screw Spacing: 160mm
- End Type: Square



Art. NSQ-04V-BLK

### Narrow Stile - Sq. End - INT PLATE - CYL HOLE ONLY - \*Matte BLACK\*

#### PRODUCT SPECIFICATION

- Dimensions (L x W x D): 185 x 25 x 14mm
- Mounting Screw Spacing: 160mm
- End Type: Square



Art. NSQ-13VDA-25-BLK

### Narrow Stile - Sq. End - INT PLATE - DA SNIB & LEVER - \*Matte BLACK\*

#### PRODUCT SPECIFICATION

- Dimensions (L x W x D): 185 x 25 x 14mm
- Mounting Screw Spacing: 160mm
- End Type: Square



Art. NSQ-02V-25-BLK

### Narrow Stile - Sq. End - INT PLATE - LEVER ONLY - \*Matte BLACK\*

#### PRODUCT SPECIFICATION

- Dimensions (L x W x D): 185 x 25 x 14mm
- Mounting Screw Spacing: 160mm
- End Type: Square



Art. NSQ-13V-25-BLK

### Narrow Stile - Sq. End - INT PLATE - SNIB & LEVER - \*Matte BLACK\*

#### PRODUCT SPECIFICATION

- Dimensions (L x W x D): 185 x 25 x 14mm
- Mounting Screw Spacing: 160mm
- End Type: Square

### Standard FACE PLATE (155mm Long) - Suits Art.: SG-SBML23 & SG-SBML30

#### PRODUCT DESCRIPTION

The LOCKTON Art. FPSBML-LT155-BLK Standard Face Plate - Black, designed to suit Art. SG-SBML23 & Art. SG-SBML30. This Face Plate does not come standard with Art. SG-SBML23 & Art. SG-SBML30. Used in place of the standard SSS Face Plate when Black furniture is required.

#### PRODUCT SPECIFICATION

- Dimensions: 155 x 25mm
- Plate Thickness: 2mm
- Material: Satin Stainless Steel
- Finish: Matte Black

Art. FPSBML-LT155-BLK

### Standard STRIKE - Suits Art.: SG-SBML23 & SG-SBML30 \*Matte BLACK\*



Art. STSBML-STD-BLK



## '160 Series' DOOR CLOSER - Rack & Pinion - (2-4) \*MATTE BLACK\*

### PRODUCT SPECIFICATION

- Rack & Pinion operation
- Non-handed
- Comes with Standard arm
- Parallel Arm Bracket
- Mounting hardware
- Adjustable Backcheck
- Simple to read installation instructions
- Closing range 180° - 15°
- Latching speed range 15° - 0°
- Suitable for door sizes 2-4
- Size #2: Door width of 850mm & Weight of 40kg
- Size #3: Door width of 950mm & weight of 60kg
- Size #4: Door width of 1100mm & Weight of 80kg
- Finish: Matte Black
- 5 year warranty
- Fire Rated AS1905, As1530 (4 Hours)
- Tested & certified to BS EN 1154:1997
- MADE IN TAIWAN



4- Hour  
Fire Rating



5 Year  
Warranty

**Art. SGDC160-BLK**



## '165 Series' DOOR CLOSER - Rack & Pinion - (2-6) \* MATTE BLACK\*

### PRODUCT SPECIFICATION

- Rack & Pinion operation
- Non-handed
- Comes with Standard arm
- Parallel Arm Bracket
- Mounting hardware
- Adjustable Backcheck
- Simple to read installation instructions
- Closing range 180° - 15°
- Latching speed range 15° - 0°
- Suitable for door sizes 2-6
- Size #2: Door width of 850mm & Weight of 40kg
- Size #3: Door width of 950mm & weight of 60kg
- Size #4: Door width of 1100mm & Weight of 80kg
- Size #5: Door width of 1250mm & Weight of 100kg
- Size #6: Door width of 1400mm & Weight of 120kg
- Finish: Matte Black
- 5 year warranty
- Fire Rated AS1905, As1530



4- Hour  
Fire Rating



5 Year  
Warranty

**Art. SGDC165-BLK**



## '195 Series' DOOR CLOSER - Cam Action - PULL (1-5) \*MATTE BLACK\*

### PRODUCT SPECIFICATION

- Cam Action
- B-Type - Pull side of the door fixing & Push side transom fixing
- Optional Hold open insert
- Mounting hardware
- Adjustable Backcheck
- Simple to read installation instructions
- Closing range 180° - 15°
- Latching speed range 15° - 0°
- Suitable for door sizes 2-5
- Size #2: Door width of 850mm & Weight of 40kg
- Size #3: Door width of 950mm & weight of 60kg
- Size #4: Door width of 1100mm & Weight of 80kg
- Size #5: Door width of 1100mm & Weight of 100kg
- Finish: Matte Black
- 5 year warranty
- Fire Rated AS1905, As1530
- Tested & certified to BS EN 1154:1997



4- Hour  
Fire Rating



5 Year  
Warranty

**Art. SGDC195-BLK-B**

## '195 Series' DOOR CLOSER - Cam Action - PUSH (1-5) \*MATTE BLACK\*



### PRODUCT SPECIFICATION

- Cam Action
- G-Type - Push side of the door fixing & Pull side transom fixing
- Mounting hardware
- Adjustable Backcheck
- Simple to read installation instructions
- Closing range 180° - 15°
- Latching speed range 15° - 0°
- Suitable for door sizes 2-5
- Size #2: Door width of 850mm & Weight of 40kg
- Size #3: Door width of 950mm & weight of 60kg
- Size #4: Door width of 1100mm & Weight of 80kg
- Size #5: Door width of 1100mm & Weight of 100kg
- Finish: Matte Black
- 5 year warranty
- Fire Rated AS1905, AS1530
- Tested & certified to BS EN 1154:1997



4- Hour  
Fire Rating



5 Year  
Warranty

Art. SGDC195-BLK-G

## 6 Pin Cylinders

### LOCK CYLINDER (570) OVAL \*Matte Black\*

#### PRODUCT DESCRIPTION

LOCKTON 410-BLK, 570 Oval cylinders are a commercial grade 6-pin solid brass cylinder, suitable for locks requiring an Australian oval cylinder



#### PRODUCT SPECIFICATION

- Made of Solid Brass
- Matte Black Finish
- C4 6-Pin with 2 x Keys (Keyed Versions)
- Cylinder Profile: C4 (LW5)
- Available in KA (Keyed Alike) or KD (Keyed to Differ)
- Suitable for Restricted Inline Key Systems
- Comes with Z,X,W & "Rabbit ear" Cams (the 4 x most common used Cams in Australia)

Art. **410-BLK-KA1**  
Art. **410-BLK-KD**

### LOCK CYLINDER (201) ROUND (KD) \*Matte Black\*

#### PRODUCT DESCRIPTION

LOCKTON 420-BLK, 201 Round cylinders are a commercial grade 6-Pin solid brass cylinder, suitable for locks requiring an Australian 201 Cylinder.



#### PRODUCT SPECIFICATION

- Made of Solid Brass
- Matte Black Finish
- Configuration: KD (Keyed to Differ)
- C4 6-Pin with 2 x Keys (Keyed Versions)
- Cylinder Profile: C4 (LW5)
- Suitable for Restricted Inline Key Systems
- Supplied with a Large Solid Brass Cylinder Rose

Art. **420-BLK-KD**

**V06**



**V90**

**V09**



**V97**

**V9083**



**NEW**

# **ELECTRIC GATE LOCK RANGE**

*V06 - Range (Universal Handing)  
Horizontal or Vertical mounting  
-With Latching Deadbolt*

*V90 - Range (Universal Handing)  
Horizontal or Vertical mounting  
-With Latching Deadbolt*

*V09 - (Universal Handing)  
-High Security for Commercial  
Sliding Gates*

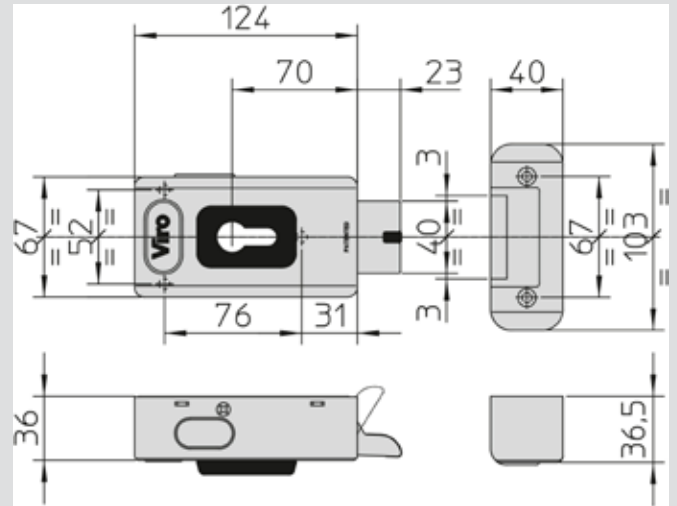
*V97 - Range  
(L&R Handed - Inward & Outward  
Gate Specific Options)  
Adjustable backset 50-80mm  
Horizontal mounting -With  
Deadlatch*

*V9083 - 63mm Extended Cylinder  
Adjustable backset 50-80mm  
Horizontal mounting -With  
Deadlatch*





# V06



## 'V06' - Range (Universal Handing) Horizontal or Vertical mounting With Latching Deadbolt

### PRODUCT DESCRIPTION





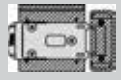

- The **V06** Electric Gate Lock is extremely versatile being suitable for Indoor & Outdoor applications, manual or automatic doors & pedestrian or drive-through gates. V06 has both **Service mode & Security mode** capabilities & Its small size makes it ideal for Vertical & Horizontal installation on narrow frames.

#### Functions:

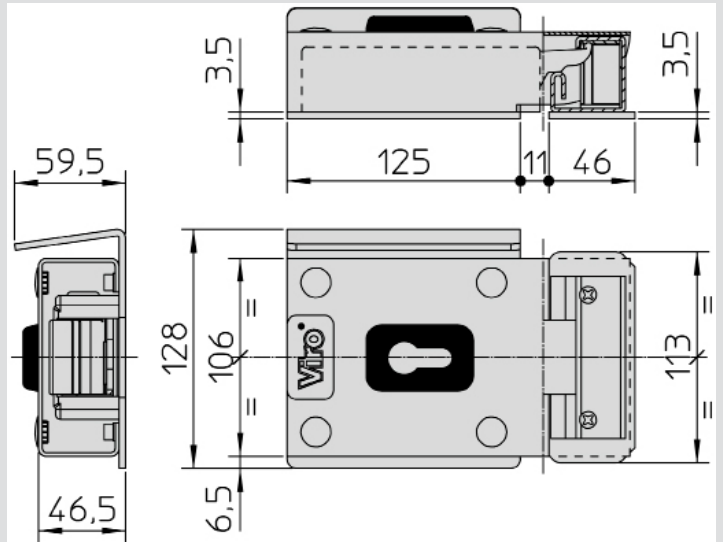
- **Service Mode:** The lock opens with the electric impulse and only resets once the door/gate has been opened and then closed. Suitable for use with door closers and all types of automation systems.
- **Security Mode:** The lock opens only when electric impulse and manual or automatic pressure are applied simultaneously. It is therefore not advisable to use it with a door closer and/or unsuitable automation systems.

### PRODUCT SPECIFICATION

- Installation: Vertical or Horizontal
- Backset: 70mm
- Double replaceable coil (distributes the load uniformly and ensures a long working life)
- Retrofits to existing V96 Electronic Locks
- Voltage: Standard 12V AC (on request 12V DC & 24V AC or DC)
- Case Material: One Piece Steel (completely galvanized or anthracite metallic painted on galvanized base)
- Cover Material: Steel (completely galvanized or anthracite metallic painted on galvanized base)
- Latchable Deadbolt: Solid Brass with Nylon Insert to reduce Closing Noise
- Cylinder: Set up for double or half profile cylinders (not included with Lock)

Gate Locks	Art ID.	Description	Price Ex GST	RRP Ex GST
	1-7918-H-217	'V06' Electric GATE LOCK (Universal Handing) 70mm B/set - Latching Deadbolt *Galvanised Steel*	CFP	CFP
	1-7918-H-BLK	'V06' Electric GATE LOCK (Universal Handing) 70mm B/set - Latching Deadbolt *Black*	CFP	CFP
Accessories	Art ID.	Description	Price Ex GST	RRP Ex GST
	1-7918-0600	Accessory Horizontal INSTALLATION KIT - for V06 Electric Gate Lock *Galvanised Steel*	CFP	CFP
	1-7918-0600-1	Accessory Motorized Up-And-Over INSTALLATION KIT - For V06 Electric Gate Lock *Galvanized Steel*	CFP	CFP
	1-7918-0600-BLK	Accessory Horizontal INSTALLATION KIT - for V06 Electric Gate Lock *Black*	CFP	CFP
	1-7918-0806	Accessory SECURITY ESUTCHEON - For V-Series Electric Gate Lock *Black*	CFP	CFP

# V06-WB



## 'V06-WB' Electric GATE LOCK (Universal Handing) 70mm B/set - Suits Bi-Directional Gates

### PRODUCT DESCRIPTION

The V06 WB electric lock has been designed to be installed horizontally to gates or driveway doors where those doors do not overlap.

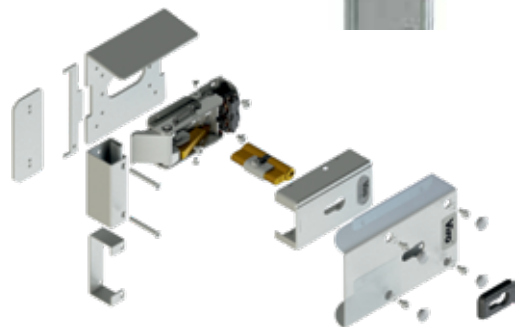
Easy installation and functionality make this lock extremely practical and effective compared to any system that creates a door rebate. The latching deadbolt and protection plate provide a High Security Solution for these gate types. V06-WB has both **Service mode & Security mode** capabilities.



### Functions:

- **Service Mode:** The lock opens with the electric impulse and only resets once the door/gate has been opened and then closed. Suitable for use with door closers and all types of automation systems.
- **Security Mode:** The lock opens only when electric impulse and manual or automatic pressure are applied simultaneously. It is therefore not advisable to use it with a door closer and/or unsuitable automation systems.

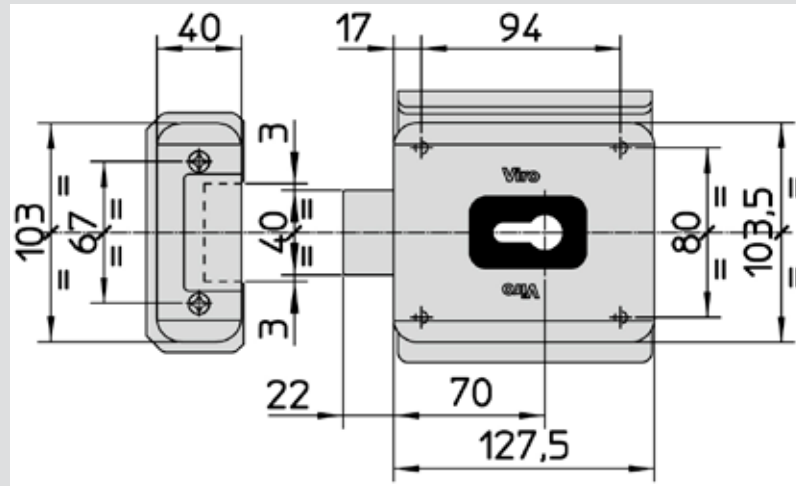
### PRODUCT SPECIFICATION

- Installation: Horizontal
- Backset: 70mm
- Double replaceable coil (distributes the load uniformly and ensures a long working life)
- Voltage: Standard 12V AC (on request 12V DC; 24V AC or DC)
- Case Material: One-Piece Galvanized Steel
- Cover: Completely Galvanised
- Latchable Deadbolt: Stainless Steel, with a special shape that hooks to the striker (Shown Right)
- Cylinder: configured for double or half profile cylinders (not supplied with lock)



Gate Locks	Art ID.	Description	Price Ex GST	RRP Ex GST
	1-7918-WB	'V06-WB' Electric GATE LOCK (Universal Handing) 70mm B/set - Suits Bi-Directional Gates *Galvanised Steel*	CFP	CFP
Accessories	Art ID.	Description	Price Ex GST	RRP Ex GST
	1-7918-465-WBH	Accessory ARMOURED PLATE for Ext. Mounting - For V06-WB Electric Gate Lock	CFP	CFP

V90



## 'V90' Electric GATE LOCK (Universal Handing) 70mm B/set - Horizontal - Outward Opening - Latching Deadbolt

### PRODUCT DESCRIPTION

The V90 electric lock was specially designed for installation on manual or automatic, outside **outward** opening doors and drive-through gates. This type of opening is necessary when the door/gate is situated on a slope or when safety regulations foresee an outward-opening escape route in the event of an emergency. Characteristics and finish make it ideal for installation even in surroundings subject to considerable temperature ranges.

### Functions:

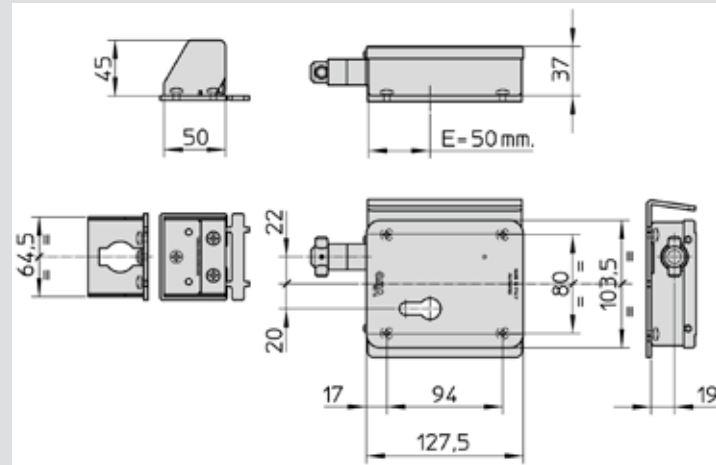
- **Service Mode:** The lock opens with the electric impulse and only resets once the door/gate has been opened and then closed. Suitable for use with door closers and all types of automation systems.

### PRODUCT SPECIFICATION

- Installation: Vertical or Horizontal
- Gate opening direction: Outward
- Backset: 70mm
- Double replaceable coil (distributes the load uniformly and ensures a long working life)
- Voltage: Standard 12V AC (on request 12V DC; 24V AC or DC)
- Case Material: One Piece Steel (completely galvanized or anthracite metallic painted on galvanized base)
- Cover Material: Steel (completely galvanized or anthracite metallic painted on galvanized base)
- Latching dead-bolt: Solid Brass
- Cylinder: Configured for double or half profile cylinders (not provided with lock)

Horizontal Gate Locks	Art ID.	Description	Price Ex GST	RRP Ex GST
	7928	V90' Electric GATE LOCK (Universal Handing) 70mm B/set - Horizontal - Latching Deadbolt *Galvanized Steel*	CFP	CFP
	7928-BLK	'V90' Electric GATE LOCK (Universal Handing) 70mm B/set - Horizontal - Latching Deadbolt *Black*	CFP	CFP
Vertical Gate Locks	Art ID.	Description	Price Ex GST	RRP Ex GST
	7928-404	'V90' Electric GATE LOCK (Universal Handing) 70mm B/set - Vertical - Latching Deadbolt *Galvanized Steel*	CFP	CFP
	7928-404-BLK	'V90' Electric GATE LOCK (Universal Handing) 70mm B/set - Vertical - Latching Deadbolt *Black*	CFP	CFP

# V09






## 'V09' Electric GATE LOCK (Universal Handing) 50mm B/set - Suits Sliding Gates

### PRODUCT DESCRIPTION

The V09 electric lock is an extremely high-reliable & High Security lock specially designed for use on outdoor, manual or automated sliding gates. The special Rotating bolt mechanism will tolerate a thermal expansion in the dimensions of sliding gates of up to 9.6 mm (equivalent to a change in temperature of 100° C for a gate which is 8 metres long) & is virtually weatherproof. V09 electric lock is also suitable for manual sliding gates (fitted with a double Euro cylinder). Unlike closing systems with padlocks, chains and standard mechanical shackle locks, the V09 lock offers new, more effective levels of security. It is easy to use, has a pleasing appearance, and cannot be attacked from the outside. V09 electric lock can be used with garage sectional doors and motorised shutters with the purchase of the related accessories.

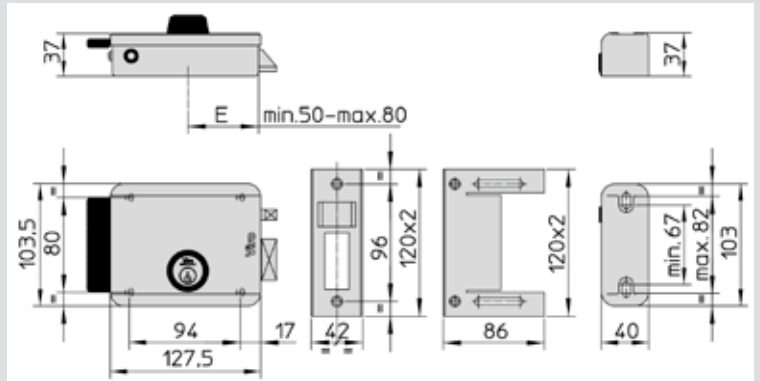
### PRODUCT SPECIFICATION

- Installation: Horizontal on the fixed upright of the sliding gate or Vertical, with accessories, on the inside of the sectional door and motorised shutters
- Backset: 50mm
- Opening impulse time: controlled by an electronic board, can be interfaced with automation systems.
- Replaceable coil
- Voltage: 12V or 24V A.C. or D.C.
- Case: One-Piece Galvanized Steel, with cable entry on the back (for maximum protection) or on the side (opening a pre-punched hole).
- Cover: Galvanized Steel, with automatic security block when the lock is closed
- Rotating Spike Dead-Bolt: highly collision-proof, inserted in steel guides, protected by case-hardened steel rotating rings, operated by stainless steel springs. Guides and rotating rings treated with "NIPLOY PROCESS" nickel plating, anticorrosion.
- Cylinder: version suitable for profile half cylinder with length 40mm (30+10) with DIN or universal cam
- Cylinder Mechanism: Brass Pins, Mushroom Brass Counter Pins (pick resistant) & Phosphor Bronze Pin Springs
- Strike: Galvanized Steel, easily fitted thanks to the practical lock alignment template

Gate Locks	Art ID.	Description	Price Ex GST	RRP Ex GST
	7905	'V09' Electric GATE LOCK (Universal Handing) 50mm B/set - Suits Sliding Gates *Galvanised Steel*	CFP	CFP
Accessories	Art ID.	Description	Price Ex GST	RRP Ex GST
	7905-0600	Accessory Horizontal INSTALL KIT for Sectional Doors/Motorized Shutters - For V09 Electric Gate Lock *Galvanised Steel*	CFP	CFP
	7905-0600-2	Accessory Vertical INSTALL KIT for Sectional Doors/Motorized Shutters - For V09 Electric Gate Lock *Galvanised Steel*	CFP	CFP



# V97



## 'V97' - Range (L&R Handed - Inward & Outward Gate Specific Options) Adjustable backset 50-80mm - Horizontal mounting With Deadlatch

### PRODUCT DESCRIPTION

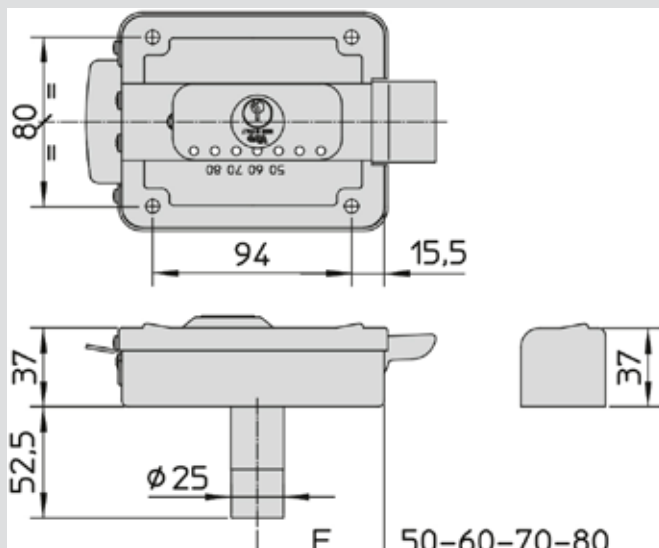
The V97 electric locks are suitable for outside / inside doors and pedestrian gates. They are interchangeable with the most common electric locks already installed in the market. Characteristics and finish make the anthracite metallic painted versions ideal for inside wooden doors; the galvanized versions are best for outside metal doors and gates, even in surroundings subject to considerable temperature ranges.

### PRODUCT SPECIFICATION

- Installation: Horizontal
- Backset: Adjustable from 50 to 80 mm, with a simple operation
- Double replaceable coil (distributes the load uniformly and ensures a long working life)
- Voltage: Standard 12V AC (on request 12V DC; 24V AC or DC)
- Case: One-piece Steel (anthracite metallic painted on galvanized base)
- Cover: Steel (anthracite metallic painted on galvanized base)
- Handle: Nylon, and Nylon Cylinder/push button ring nut
- Latch: Solid Brass, self-locking with the device locked
- Ejector: Nickel-Plated Steel, separate from the latch to ensure the correct working of the lock even if there is vertical adjustment between the lock and the striker (caused by weather changes)
- Cylinders: Solid Brass, fixed internal, fixed external
- Keys: Supplied with 3 x VIRO Profile Nickel Plated Brass Keys

Gate Locks	Art ID.	Description	Price Ex GST	RRP Ex GST
	8963-712-1-BLK	'V97' Electric GATE LOCK (Right Handing) Adj. 50-80mm B/set - Outward Opening - NO Exit Button - Deadlatch *Black*	CFP	CFP
	8963-712-2-BLK	'V97' Electric GATE LOCK (Left Handing) Adj. 50-80mm B/set - Outward Opening - NO Exit Button - Deadlatch *Black*	CFP	CFP
	8972-1-BLK	'V97' Electric GATE LOCK (Right Handing) Adj. 50-80mm B/set - Inward Opening - W/Exit Button - Deadlatch *Black*	CFP	CFP
	8972-2-BLK	'V97' Electric GATE LOCK (Left Handing) Adj. 50-80mm B/set - Inward Opening - W/Exit Button - Deadlatch *Black*	CFP	CFP
	8973-712-1-BLK	'V97' Electric GATE LOCK (Right Handing) Adj. 50-80mm B/set - Outward Opening - W/Exit Button - Deadlatch *Black*	CFP	CFP
	8973-712-2-BLK	'V97' Electric GATE LOCK (Left Handing) Adj. 50-80mm B/set - Outward Opening - W/Exit Button - Deadlatch *Black*	CFP	CFP
	8992-1-BLK	'V97' Electric GATE LOCK (Right Handing) Adj. 50-80mm B/set - Inward Opening - NO Exit Button - Deadlatch *Black*	CFP	CFP
	8992-2-BLK	'V97' Electric GATE LOCK (Left Handing) Adj. 50-80mm B/set - Inward Opening - NO Exit Button - Deadlatch *Black*	CFP	CFP

# V0983



## 'V9083' Electric GATE LOCK - 63 mm Ext. Cylinder with Adj. 50-80mm B/set Horizontal Latching Deadbolt

### PRODUCT DESCRIPTION



V9083 electric locks are suitable for manual or automatic outside doors and drive-through gates and are interchangeable with V90 (7920 series) and V83 (7910 series) electric locks. They are standard supplied with the service function and, by simply removing an internal part, can get the security function. Characteristics and finish make them ideal for installation even in surroundings subject to considerable temperature ranges. Long projection on the exterior cylinder to protrude on 50mm gate posts.

#### Functions:

- **Service Mode:** The lock opens with the electric impulse and only resets once the door/gate has been opened and then closed. Suitable for use with door closers and all types of automation systems.
- **Security Mode:** The lock opens only when electric impulse and manual or automatic pressure are applied simultaneously. It is therefore not advisable to use it with a door closer and/or unsuitable automation systems.

### PRODUCT SPECIFICATION

- Installation: Vertical or Horizontal
- Backset: Adjustable 50-60-70-80 mm
- Double replaceable coil (distributes the load uniformly and ensures a long working life)
- Voltage: Standard 12V AC (on request 12V DC; 24V AC or DC)
- Case: One-Piece Galvanized Steel
- Cover with handle: Galvanized Steel
- Latchable Dead-Bolt: AISI 304 Inox Stainless Steel High Resistance, Double Tightness Dead-Bolt
- Cylinder: Solid Brass, fixed internal, fixed external
- Keys: supplied with 3 x VIRO Profile Nickel-Plated Brass Keys

Gate Locks	Art ID.	Description	Price Ex GST	RRP Ex GST
	9083-0793-BLK	'V9083' Electric GATE LOCK - 63 mm Ext. Cylinder with Adj. 50-80mm B/set Horizontal Latching Deadbolt *Black*	CFP	CFP
Vertical Gate Locks	Art ID.	Description	Price Ex GST	RRP Ex GST
	9990-BLK	Accessory Horizontal ROOF PLATE - For V9083 Electric Gate Lock *Black*	CFP	CFP

# MORTICE LOCK KITS


**NEW**

**KEYED ALIKE (KA) & KEYED TO DIFFER (KD) OPTIONS ON**

[sglocks.com.au](http://sglocks.com.au)

Search here... \$0.00

HOME AUTOMOTIVE KEYS & ACCS. LOCKING & HARDWARE SAFES & SECURE STORAGE REMOTES TOOLS, SHOP & VAN ENGRAVING SRS+



## LOCKTON

### '60mm' Mortice Lock KIT1 (CLASSROOM) - Inc. Lock, Furniture & Cylinder

Art ID: ML60-KIT1(KA)

✔ In Stock [250+]

Option:

Quantity:  Add To Cart

PRODUCT DESCRIPTION

The LOCKTON 60mm Mortice Lock KIT 1 (CLASSROOM) contains a LOCKTON 60mm Backset Mortice Lock, Oval Cylinder, and suitable furniture.

Kit contains:

- 1 x 60mm Mortice Lock (Art. SG-ML60)
- 1 x External Lever with Cylinder Hole (Art. SQ-01C-25-SCP)
- 1 x Internal Lever Only (Art. SQ-02V-25-SCP)
- 1 x Oval Cylinder (Art. 410-SC-KA or 410-SC-KD)

Mortice Lock Kits Default to KA (KEYED ALIKE Stock for the Oval Cylinder)

[CLICK] the Dropdown box to Select KD (KEYED DIFFER)

Select KD from dropdown box

The Selection is now KD

Art ID: ML60-KIT1(KD)

✔ In Stock [250+]

Option:

- Select One -

KA

KD

Quantity:

Art ID: ML60-KIT1(KD)

✔ In Stock [250+]

Option:

Quantity:



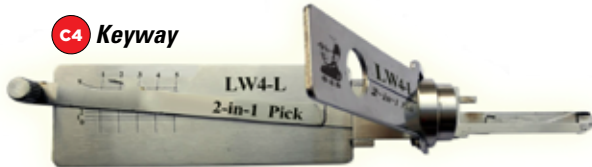
# LISHI INLINE-L RANGE



ORIGINAL  
LISHI TOOLS

## FOR OPPOSITE HANDED DOORS

### Domestic Pick - C4 - 5 Pin - (Opposite Handing) \*Anti-Glare\*



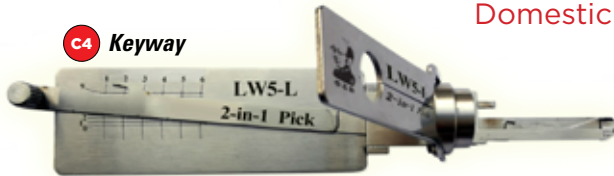
#### PRODUCT SPECIFICATION

- Lock Profile: C4 LW4
- Compatibility: C4 5 pin Keyway
- Finish: Anti-Glare
- Tool Type: 2-in-1 Pick & Decoder



Art.LP-LW4-L-AG

### Domestic Pick - C4 - 6 Pin - (Opposite Handing) \*Anti-Glare\*



#### PRODUCT SPECIFICATION

- Lock Profile: C4 LW5
- Compatibility: C4 6 pin Keyway
- Finish: Anti-Glare
- Tool Type: 2-in-1 Pick & Decoder



Art.LP-LW5-L-AG

### Domestic Pick - TE2 - 5 Pin - (Opposite Handing) \*Anti-Glare\*



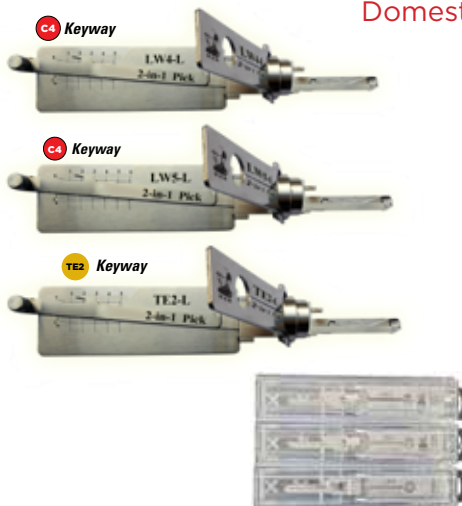
#### PRODUCT SPECIFICATION

- Lock Profile: TE2
- Compatibility: TE2 5 pin Keyway
- Finish: Anti-Glare
- Tool Type: 2-in-1 Pick & Decoder



Art.LP-TE2-L-AG

### 'Lishi' L-DOMESTIC STARTER KIT - Includes 3 x Most Popular Domestic Lishi Picks - (Opposite Handing)



#### PRODUCT DESCRIPTION

- The LP-KIT-DOM-L-START LISHI Pick Starter Kit, is the ideal kit for anyone getting into domestic LISHI picking and decoding.
- The kit contains 3 x of the most popular domestic pick and decoders, making it perfect for beginners or experienced people.

#### PRODUCT SPECIFICATION

Kit contains the below individual items.

**Art.**  
LP-LW5-L-AG  
LP-LW4-L-AG  
LP-TE2-L-AG  
LP-PC

**Description**  
Domestic Pick - C4 - 6 Pin \*Anti-Glare\*  
Domestic Pick - C4 - 5 Pin \*Anti-Glare\*  
Domestic Pick - TE2 - 5 Pin \*Anti-Glare\*  
LISHI PROTECTIVE CASE x 3



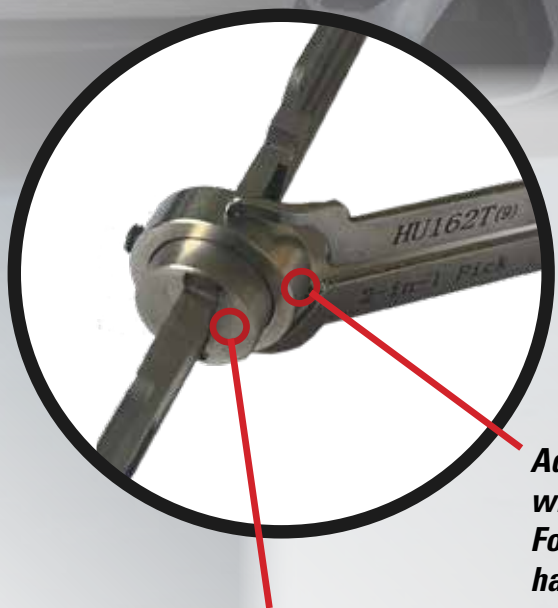
ArtLP-KIT-DOM-L-START



**NEW**

# HU162

**No Handle Removal Required!**



*Adjustable tension wrench  
For adjustment on thicker handles*

*Smaller diameter insertion point to bypass exterior handle*

**ORIGINAL LISHI**

**Auto. Pick - VAG - Suits Keyways (HU162) IC Card 1435 - 2015+ (With side cuts 3/3 - Depths 4) 9 Cuts - DR Only w/ recessed Keyhole  
\*Anti - Glare\***

**Art ID: LP-HU162-SC9-AG-V2**



**NEW**



**LOCKTON**

**45**

# WEATHER COVER



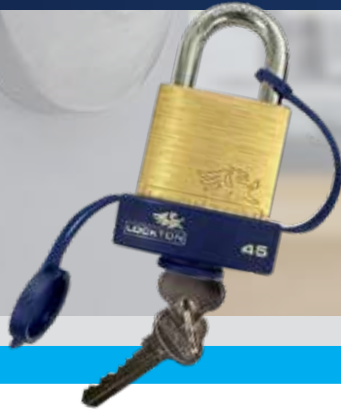
**'500 Series' WEATHER COVER - Suits 45mm Padlock (Blue)**

**PRODUCT DESCRIPTION**  
LOCKTON Art. 500/45.WC-BLU Padlock Weather Cover.

This high quality cover will protect your padlock keyway from intrusive weather and environmental affects like rain, dust and other invasive elements. It's ergonomic design also makes application and installation an easy process.

**PRODUCT SPECIFICATION**

- Colour: Blue
- Material: TPU Composite Plastic
- Dimensions (L x W x H): 25 x 55 x 18mm
- Suits: LOCKTON 45mm Padlocks



# REKEYABLE PADLOCKS

## 40

### '500 Series' 40mm PADLOCK - S/STEEL SHACKLE (KD)

#### PRODUCT DESCRIPTION

- 500-40-KD 40mm Padlock
- 40mm Solid brass body
- Keyed to differ
- 6.35mm Stainless steel - Quick change shackle
- Re-Keyable 6 pin cylinder
- Suits Inline restricted key systems
- Can be made from key release to key retain



Art. **500/40-KD**

## 45

### '500 Series' 45mm PADLOCK - BORON SHACKLE (KD)

#### PRODUCT DESCRIPTION

- 500-45-KD 45mm Padlock
- 45mm Solid brass body
- Keyed to differ
- 8mm Boron - Quick change shackle
- Re-Keyable C4 6 pin cylinder
- Suitable for restricted key systems
- Can be made from key release to key retain



Art. **500/45-KD**

## 50

### '500 Series' 50mm PADLOCK - BORON SHACKLE (KD)

#### PRODUCT DESCRIPTION

- 500-50-KD 50mm Padlock
- 50mm Solid brass body(Nickle plated)
- Keyed to Differ
- 9mm Boron - Quick change shackle
- Re-Keyable C4 6 pin cylinder
- Suitable for restricted key systems
- Can be made from key release to key retain



Art. **500/50-KD**

## 55

### '500 Series' 55mm PADLOCK - BORON SHACKLE (KD)

#### PRODUCT DESCRIPTION

- 500-55-KD 55mm Padlock
- 55mm Solid brass body (Chrome plated)
- Keyed to differ
- 10mm Boron - Quick change shackle
- Re-Keyable C4 6 pin cylinder
- Suitable for restricted key systems
- Can be made from key release to key retain



Art. **500/55-KD**



# KEY TAGS



## Key Tag Containers

### KEY TAG BARREL - 140 KEY TAGS



Art. **KTID5-D140**

#### PRODUCT DESCRIPTION

- Round & Clear Plastic Barrel
- 140 x Key Tags Assorted Colours

#### PRODUCT SPECIFICATION:

- KEY TAG = 54mm x 28mm
- SPLIT RING = 25mm Diameter
- 20 x White
- 20 x Blue
- 20 x Yellow
- 20 x Green
- 20 x Orange
- 20 x Purple
- 20 x Red

## Key Tag Refills

### KEY TAGS INDIVIDUAL COLOUR - Pkt of 20



#### PRODUCT DESCRIPTION

- See-Through Coloured Plastic
- Individual colour
- Packet of 20

#### PRODUCT SPECIFICATION:

- KEY TAG = 54mm x 28mm
- SPLIT RING = 25mm Diameter

Blue	Green	Orange	Purple
Art. KTID5-BL	Art. KTID5-GN	Art. KTID5-OR	Art. KTID5-PU
Red	Yellow	White	
Art. KTID5-RD	Art. KTID5-YE	Art. KTID5-WH	

### KEY TAG JAR - 175 KEY TAGS



Art. **KTID5-D175**

#### PRODUCT DESCRIPTION

- Cylindrical & Clear Plastic Jar
- 175 x Key Tags Assorted Colours

#### PRODUCT SPECIFICATION:

- KEY TAG = 54mm x 28mm
- SPLIT RING = 25mm Diameter
- 25 x White
- 25 x Blue
- 25 x Yellow
- 25 x Green
- 25 x Orange
- 25 x Purple
- 25 x Red

### KEY TAG REFILL - Asst. Colours - 70 KEY TAGS



Art. **KTID5-RF70**

#### PRODUCT DESCRIPTION

- Refill Pack for LOCKTON Key Tag Displays
- 70 x Key Tags Assorted Colours

#### PRODUCT SPECIFICATION:

- KEY TAG = 54mm x 28mm
- SPLIT RING = 25mm Diameter
- 10 x White
- 10 x Blue
- 10 x Yellow
- 10 x Green
- 10 x Orange
- 10 x Purple
- 10 x Red

### KEY TAG HOPPER \*PERSPEX\* - 420 KEY TAGS



Art. **KTID5-D420**

#### PRODUCT DESCRIPTION

- Large Clear Perspex Hopper
- Hopper Dimensions (H x D x W) : 310 x 180 x 200mm
- Eye Catching Display
- Hopper Holds 210 Tags
- Supplied with 420 Tags Total

#### PRODUCT SPECIFICATION:

- KEY TAG = 54mm x 28mm
- SPLIT RING = 25mm Diameter
- 60 x White
- 60 x Blue
- 60 x Yellow
- 60 x Green
- 60 x Orange
- 60 x Purple
- 60 x Red

### KEY TAG REFILL - Asst. Colours - 175 KEY TAGS



Art. **KTID5-RF175**

#### PRODUCT DESCRIPTION

- Refill Pack for LOCKTON Key Tag Displays
- 175 x Key Tags Assorted Colours

#### PRODUCT SPECIFICATION:

- KEY TAG = 54mm x 28mm
- SPLIT RING = 25mm Diameter
- 25 x White
- 25 x Blue
- 25 x Yellow
- 25 x Green
- 25 x Orange
- 25 x Purple
- 25 x Red





### CUSTOM KEY TAGS

**PRODUCT DESCRIPTION**

\*\* This is a CUSTOMISED Product - the turn around is 1-2 days once Artwork is approved \*\* Order Now \*\*

**PRODUCT DESCRIPTION**

- LOCKTON Customised Key Tag Inserts - Full Colour Design
- Customise your KEY TAGS with your business details
- Quick Easy Design Process - We do the design for you !

**PRODUCT SPECIFICATION**

- Printed on Perforated A4 Paper
- 4 x A4 Sheets (65 Per Sheet = 260 Inserts)
- Insert Size: 38 x 21 mm

Art ID: CUST-260

### LASER ENGRAVING

**PRODUCT DESCRIPTION**

Laser Engraving on LOCKTON Cylinders & Padlocks

- Small MOQ - No Large order quantities!
- Can be purchase in boxes of 10.
- Order x5 + boxes and receive a discount.
- No Setup Fees
- Quick" turnaround after design approval

Talk to your sales rep to get started !



We can engrave your QR code

### 'Customised' KEY STICKERS - Pkt of 200

**PRODUCT DESCRIPTION**

These customised stickers are designed to suit the range of JMA transponder keys, KEYDIY Remotes & XHORSE Remotes. Simply remove the existing sticker and replace with your own design for a full colour "coined" automotive transponder key. This is a great way to advertise your business!

**PRODUCT SPECIFICATION**

- Weather Proof Vinyl Stickers (Bumper Bar Quality)
- Full Colour
- Design done by SGLOCKS
- Size (Diameter):14mm
- Packet of 200



'Customised' DOME STYLE KEY STICKERS



# Lock Pins

**Specialty Products**  
 & Manufacturing, LLC


With 30+ years of specialised manufacturing in the security industry, SP LOCK PINS produces high-quality Lock Pins and Lock Pin Kits for locksmiths and leading lock brand manufacturers.



**NEW**

## SPOOLED TOP PINS

### For Additional Security



- Type: Spooled Top Pin
- Top Pin designed to give additional security to inline cylinders
- Colour: Gold
- Material: #360 Alloy Brass (Full-Hard)
- Packet of 100
- Made in USA

**NEW**

### SPOOLED TOP PIN (SECURITY PINS)



Art ID	Colour	Description	Packet (qty: 100)
155-SP-TOP-PIN	* Gold *	SPOOLED TOP PIN (0.155") - Pkt of 100	CFP
170-SP-TOP-PIN	* Gold *	SPOOLED TOP PIN (0.170") - Pkt of 100	CFP
180-SP-TOP-PIN	* Gold *	SPOOLED TOP PIN (0.180") - Pkt of 100	CFP
200-SP-TOP-PIN	* Gold *	SPOOLED TOP PIN (0.200") - Pkt of 100	CFP
240-SP-TOP-PIN	* Gold *	SPOOLED TOP PIN (0.240") - Pkt of 100	CFP

\* Most Common increments to suit Australian standard stack heights

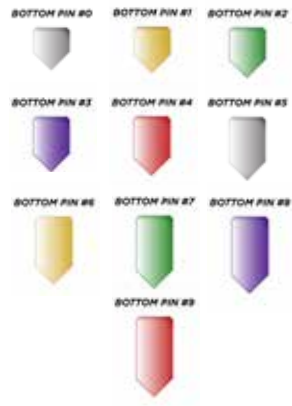


### TOP PINS (AUS STANDARD)

Art ID	Colour	Description	Price qty: 144	Price qty: 1000
.125-TOP-PIN	* Green *	TOP PIN *GREEN* (0.125")	CFP	CFP
.150-TOP-PIN	* Green *	TOP PIN *GREEN* (0.150")	CFP	CFP
.185-TOP-PIN	* Gold *	TOP PIN * GOLD* (0.185")	CFP	CFP
.200-TOP-PIN	* Green *	TOP PIN *GREEN* (0.200")	CFP	CFP



## COLOUR COATED BOTTOM PINS (AUS STANDARD)



Art ID	Colour	Packet (qty: 144)	Box (qty: 1000)	5x Boxes (qty: 5000)
0-BOTTOM-PIN	* Silver *	CFP	CFP	CFP
1-BOTTOM-PIN	* Gold *	CFP	CFP	CFP
2-BOTTOM-PIN	* Green *	CFP	CFP	CFP
3-BOTTOM-PIN	* Purple *	CFP	CFP	CFP
4-BOTTOM-PIN	* Red *	CFP	CFP	CFP
5-BOTTOM-PIN	* Silver *	CFP	CFP	CFP
6-BOTTOM-PIN	* Gold *	CFP	CFP	CFP
7-BOTTOM-PIN	* Green *	CFP	CFP	CFP
8-BOTTOM-PIN	* Purple *	CFP	CFP	CFP
9-BOTTOM-PIN	* Red *	CFP	CFP	CFP



## COLOUR COATED MASTER PINS (AUS STANDARD)



Art ID	Colour	Packet (qty: 144)	Box (qty: 1000)	5x Boxes (qty: 5000)
2-MASTER-PIN	* Red *	CFP	CFP	CFP
3-MASTER-PIN	* Silver *	CFP	CFP	CFP
4-MASTER-PIN	* Gold *	CFP	CFP	CFP
5-MASTER-PIN	* Green *	CFP	CFP	CFP
6-MASTER-PIN	* Purple *	CFP	CFP	CFP
7-MASTER-PIN	* Red *	CFP	CFP	CFP
8-MASTER-PIN	* Silver *	CFP	CFP	CFP
9-MASTER-PIN	* Gold *	CFP	CFP	CFP



## ACCESSORIES

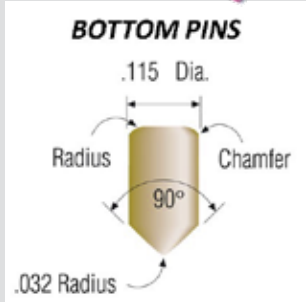
Art ID	Size/Colour	Description	Price
SHM	S/Steel	CURVED SHIMS - Stainless Steel - Pkt of 25	CFP
SPR-L	* Bronze *	LOCK SPRINGS - Long (Standard) - Pkt of 144	CFP
SPR-S	* Bronze *	LOCK SPRINGS - Short (Standard) - Pkt of 144	CFP

\*\* All pricing ex. GST\*\*



## NICKEL SILVER BOTTOM PINS (AUS STANDARD)

Art ID	Colour	Packet (qty: 144)	Box (qty: 1000)	5x Boxes (qty: 5000)
0-BOTTOM-PIN-NS	* Silver *	CFP	CFP	CFP
1-BOTTOM-PIN-NS	* Blue *	CFP	CFP	CFP
2-BOTTOM-PIN-NS	* Green *	CFP	CFP	CFP
3-BOTTOM-PIN-NS	* Purple *	CFP	CFP	CFP
4-BOTTOM-PIN-NS	* Red *	CFP	CFP	CFP
5-BOTTOM-PIN-NS	* Silver *	CFP	CFP	CFP
6-BOTTOM-PIN-NS	* Blue *	CFP	CFP	CFP
7-BOTTOM-PIN-NS	* Green *	CFP	CFP	CFP
8-BOTTOM-PIN-NS	* Purple *	CFP	CFP	CFP
9-BOTTOM-PIN-NS	* Red *	CFP	CFP	CFP



## TE2 - GAINSBOROUGH AFTERMARKET PINS



Art ID	Colour	Packet (qty: 144)
GAINS-BP0	* Gold *	CFP
GAINS-BP1	* Gold *	CFP
GAINS-BP2	* Gold *	CFP
GAINS-BP3	* Gold *	CFP
GAINS-BP4	* Gold *	CFP
GAINS-BP5	* Gold *	CFP
GAINS-BP6	* Gold *	CFP
GAINS-BP7	* Gold *	CFP
GAINS-BP8	* Gold *	CFP



## PINNING KITS

Art ID	Size/Colour	Description	Price
SGL-GAINS	9 Sizes	'Gainsborough' (TE2) BOTTOM PIN KIT - 9 Sizes in Compact Case	CFP
SGL-115	18 Sizes	'AUS' PIN KIT - MAST & BOTT PINS (0.115" Dia.) - Metal Case	CFP
SGL-115-ECON	22 Sizes+Spr./Shim	'Economy' PIN KIT - MAST & BOTT & TOP PINS (0.115" Dia.) - Plastic Case	CFP
SPK-55	113 Sizes+Spr.	'Universal' PIN KIT - 113 Sizes (0.115" Dia.) - 5/1000 Increments	CFP

\*\* All pricing ex. GST\*\*

To see the full range of SP Lock Pins go to

[sglocks.com.au](http://sglocks.com.au)



## SMALL PINNING MAT

SUITABLE FOR VANS (305MM X 203MM)



(SMALL 305mm x 203mm)

### PRODUCT DESCRIPTION

This high quality rubber pinning mat from SP LOCK PINS is a must have for any mobile locksmith. The mat comes with several raised sections and indents to help prevent pin loss and streamline the pinning job process.

The underside of the mat is also mildly adhesive ensuring it stays in place and won't slide around, making it a great option for vans and mobile workshops.

### PRODUCT SPECIFICATION

- Material: Rubber
- Dimensions: 305 x 203mm

Art. **SP-PMAT-S**

## LARGE PINNING MAT

SUITABLE FOR SHOPS (533MM X 305MM)



(LARGE 533mm x 305mm)

### PRODUCT DESCRIPTION

This high quality rubber pinning mat from SP LOCK PINS is a must have for any locksmith workshop.

The mat comes with several raised sections and indents to help prevent pin loss and streamline the pinning job process.

The underside of the mat is also mildly adhesive ensuring it stays in place and won't slide around, making it a great option for multiple workshop surfaces.

### PRODUCT SPECIFICATION

- Material: Rubber
- Dimensions: 533 x 305mm

Art. **SP-PMAT-L**



## About

***JMA is a premium brand in the global locksmithing market. The JMA history is been defined by experience and innovation for over 80 years.***

***JMA a family owned business was established in 1942 in Mondragón, Spain and became a major key manufacturing business in its first generation.***

***JMA grew significantly and become a nationally recognized brand during the 1960s and 1970s. Constant growth in key production naturally led to the international expansion of JMA and the creation of new product lines.***

***Today JMA sells its products in over 100 countries, and the JMA brand has a dozen commercial branches in Europe, America, Africa and Asia, as well as production plants in both Europe and America.***

***JMA currently manufactures more than 2,500,000 keys per day, and it has an extensive catalogue with over 80,000 different items spread over all its product lines:***

- ***Domestic and car keys***
- ***Transponder technology for car key duplication***
- ***Remote controls for garages doors and gates***
- ***Key and access point control duplicators***

***This extensive range has enabled JMA to position itself as a premium international provider of global security solutions. It is a brand that looks to the future by incorporating the latest technologies into its products while always meeting the needs of the market.***



# JMA<sup>®</sup>



**"Kit out your Team"**



**LOCKTON**  
commercial  
**BLACK RANGE**

**CONTINUED BY POPULAR DEMAND**



**PROMO 1** ⚡  
SPEND OVER \$790.00 \* ON

[sglocks.com.au](http://sglocks.com.au)

In the one order and receive FREE

**LOCKTON T-SHIRT**  
'BLACK RANGE'



SIZES: S,M,L,XL,2XL,3XL

**PROMO 2** ⚡⚡ \*  
SPEND OVER \$1290.00 ON

[sglocks.com.au](http://sglocks.com.au)

In the one order and receive FREE

**LOCKTON HOODIE**  
'BLACK RANGE'



SIZES: S,M,L,XL,2XL,3XL

**PROMO 3** ⚡⚡⚡ \*  
SPEND OVER \$1790.00 ON

[sglocks.com.au](http://sglocks.com.au)

In the one order and receive FREE

**T-SHIRT & HOODIE**  
'BLACK RANGE'



SIZES: S,M,L,XL,2XL,3XL

"JULY Promo" valid until 31st JULY 2023 or whilst stocks last.  
\* Free Promotion item is only valid for online orders \* Pricing shown excludes GST  
pricing as of 01/07/2023 and is subject to change. For most accurate pricing please check the sglocks website.



**WELCOME TO THE TEAM**

We would like to welcome David Clohesy to the team at SGLOCKS as our SA/NT Sales Manager.

David brings over 19 years' experience to our team having worked in most aspects of the Locksmith industry including Sales, Technical Support & Running a Locksmith business.



For our SA/NT customers if you haven't already, you will be hearing from David shortly.

Mob: 0492 090 558 Email: david.c@siepergroup.com



Head Office  
PH : 02 9352 0600  
FAX: 02 9748 0566

**NSW**  
  
101-109 Deakin St  
SILVERWATER NSW 2128

**QLD**  
  
16 Lyons Terrace  
WINDSOR QLD 4030

**WA**  
  
WESTERN AUSTRALIA

**VIC**  
  
15 Holyrood Avenue  
STRATHMORE VIC 3041

**SA/NT**  
  
SOUTH AUSTRALIA

**NZ**  
  
4 Manu Tapu Drive  
Intl Airport, Auckland

**Your Sales Managers:**

**Colin McFarland**  
0491 445 005

**Vince Carson**  
0437 770 576

**Ian York**  
0472 698 398

**Henry Guldon**  
0400 613 714

**David Clohesy**  
0492 090 558

**NZ Toll Free**  
0800 00 15 98