

SGLOCKS

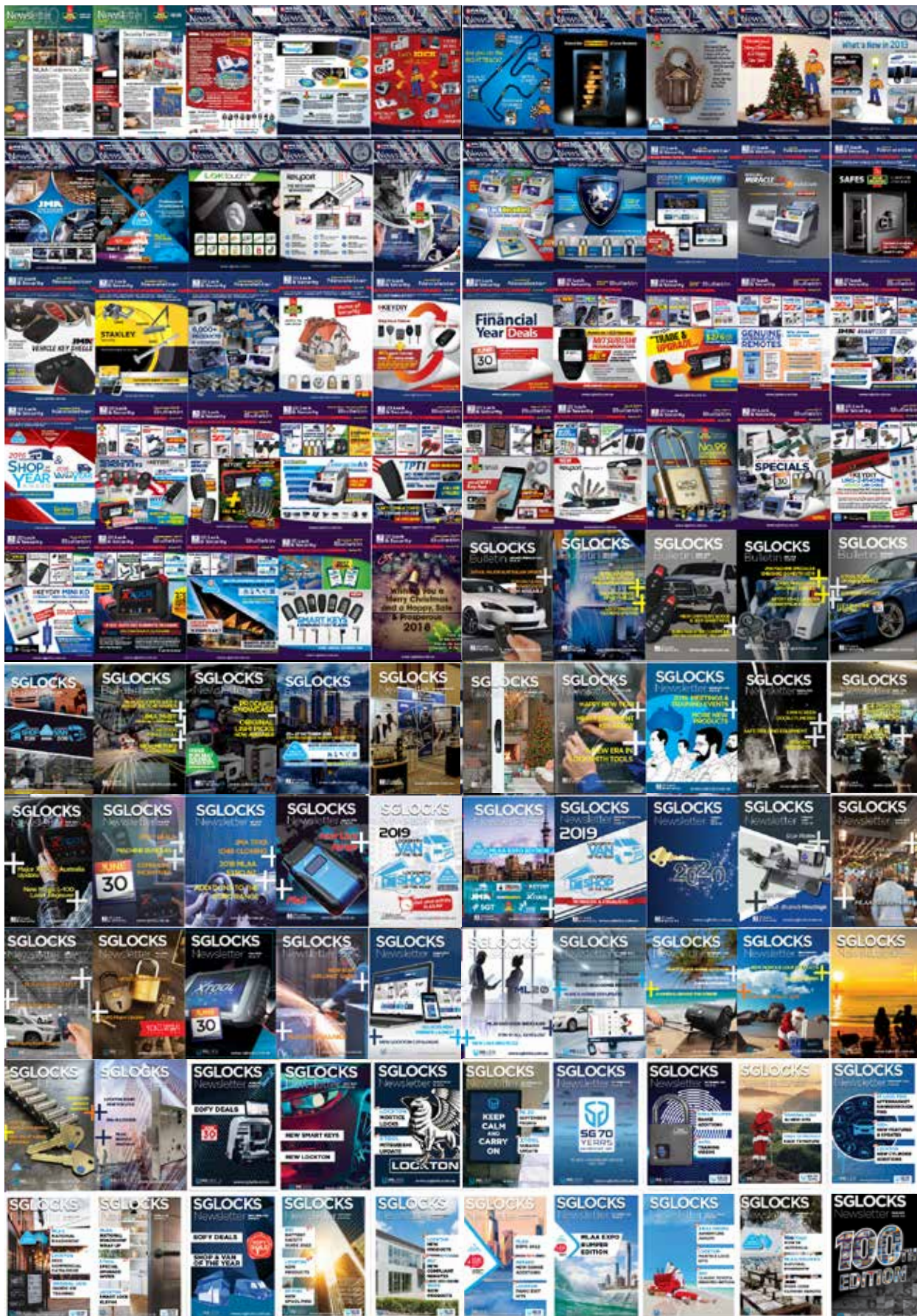
Newsletter

MAR/APR 2023
ISSUE 100

100TH
EDITION

100TH
EDITION

Do you have them all ?



...contact us for a 100th Edition Binder Set (Limited Release) to store them in



NEW

Art ID: LP-NH2

Auto. Pick - MISC. TRUCK - Suits (NH2) - IC Card 49

PRODUCT SPECIFICATION

Suits: Kenworth , Freightliner , Mack Truck + many more
Lock Profile: Suits NH2 (BS-6)
Tool Type: 2-in-1 Twin Lifter
Compatibility: IGNITION & DOOR
Finish: Anti-Glare



NEW

Art ID: LP-GM25R

Auto. Pick - KENWORTH Truck - Suits GM-21 (GM25R)
- IGN/DR - (IC Card 460) *Anti - Glare*

PRODUCT SPECIFICATION

Suits: Kenworth
Lock Profile: Suits GM25R (GM-21)
Tool Type: 2-in-1 Twin Lifter
Compatibility: DOOR ONLY
Finish: Anti-Glare



NEW

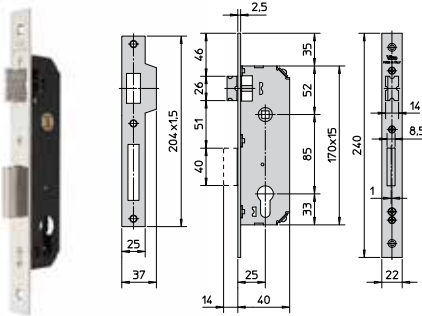
Art ID: LP-YA4R

Auto. Pick - Universal Truck & Canopy Accessories -
Suits (YALE Style keys like YA4R, BA5R etc.) - IC Card 50

PRODUCT SPECIFICATION

Suits: Most Toolbox & Canopy T-Handles
Lock Profile: Suits YA4R , BA5R etc.
Tool Type: 2-in-1 Twin Lifter
Finish: Anti-Glare



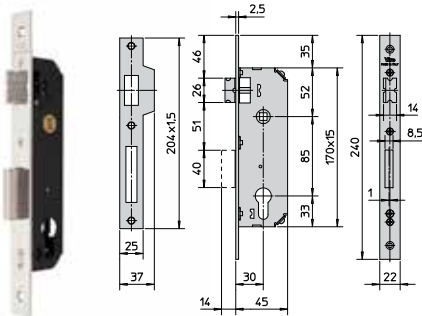


Euro Cyl. MORTICE LOCK (25mm B/Set) - Single-Throw

PRODUCT SPECIFICATION

- Backset: 25mm
- Deadbolt Dimensions: 40 x 8.5mm
- Faceplate Dimension: 240 x 22mm
- Cylinder to Spindle Centre: 85mm
- Spindle Size: 8mm
- Deadbolt Projection: 14mm
- Deadbolt Operation: Single Throw
- Lock Body Width: 40mm
- Body Material: Steel
- Latch Materials: Solid Brass
- Deadbolt Materials: Zinc Alloy
- Supplied with: 1 x Strike Plate, 2 x Lock Fitting Screws & 1 x Cylinder Fitting Screw
- MADE IN ITALY

Art ID: 7435-25-2-9

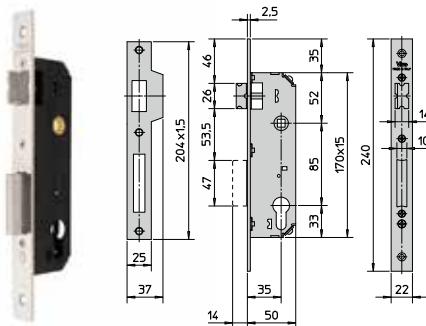


Euro Cyl. MORTICE LOCK (30mm B/Set) - Single-Throw

PRODUCT SPECIFICATION

- Backset: 30mm
- Deadbolt Dimensions: 40 x 8.5mm
- Faceplate Dimension: 240 x 22mm
- Cylinder to Spindle Centre: 85mm
- Spindle Size: 8mm
- Deadbolt Projection: 14mm
- Deadbolt Operation: Single Throw
- Lock Body Width: 45mm
- Body Material: Steel
- Latch Materials: Solid Brass
- Deadbolt Materials: Zinc Alloy
- Supplied with: 1 x Strike Plate, 2 x Lock Fitting Screws & 1 x Cylinder Fitting Screw
- MADE IN ITALY

Art ID: 7435-30-2-9

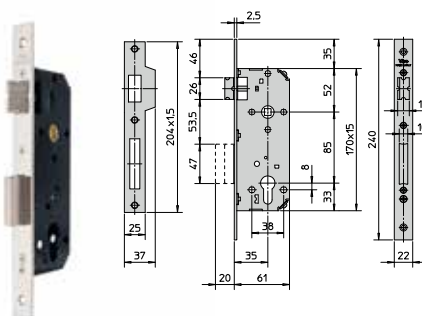


Euro Cyl. MORTICE LOCK (35mm B/Set) - Single-Throw

PRODUCT SPECIFICATION

- Backset: 35mm
- Deadbolt Dimensions: 47 x 10mm
- Faceplate Dimension: 240 x 22mm
- Cylinder to Spindle Centre: 85mm
- Spindle Size: 8mm
- Deadbolt Projection: 14mm
- Deadbolt Operation: Single Throw
- Lock Body Width: 50mm
- Body Material: Steel
- Latch and Deadbolt Material: Solid Brass
- Supplied with: 1 x Strike Plate, 2 x Lock Fitting Screws & 1 x Cylinder Fitting Screw
- MADE IN ITALY

Art ID: 7435-36-2-9

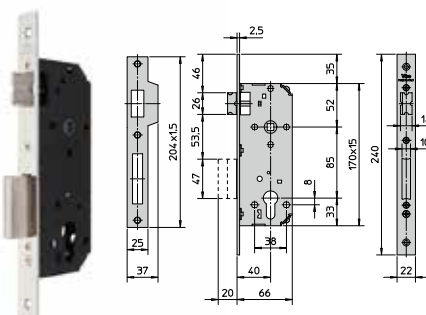


Euro Cyl. MORTICE LOCK (35mm B/Set) - Double-Throw

PRODUCT SPECIFICATION

- Backset: 35mm
- Deadbolt Dimensions: 47 x 10mm
- Faceplate Dimension: 240 x 22mm
- Cylinder to Spindle Centre: 85mm
- Spindle Size: 8mm
- Deadbolt Projection: 20mm
- Deadbolt Operation: Double Throw
- Lock Body Width: 61mm
- Body Material: Steel
- Latch and Deadbolt Material: Solid Brass
- Supplied with: 1 x Strike Plate, 2 x Lock Fitting Screws & 1 x Cylinder Fitting Screw
- MADE IN ITALY

Art ID: 7435-35-2-9

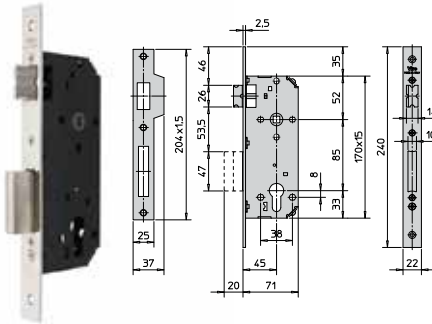


Euro Cyl. MORTICE LOCK (40mm B/Set) - Double-Throw

PRODUCT SPECIFICATION

- Backset: 40mm
- Deadbolt Dimensions: 47 x 10mm
- Faceplate Dimension: 240 x 22mm
- Cylinder to Spindle Centre: 85mm
- Spindle Size: 8mm
- Deadbolt Projection: 20mm
- Deadbolt Operation: Double Throw
- DIN standard through holes for insertion of security escutcheons
- Lock Body Width: 66mm
- Body Material: Steel
- Latch and Deadbolt Material: Solid Brass
- Supplied with: 1 x Strike Plate, 2 x Lock Fitting Screws & 1 x Cylinder Fitting Screw
- MADE IN ITALY

Art ID: 7435-40-2-9

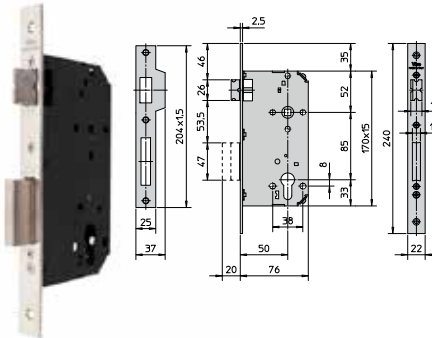


Euro Cyl. MORTICE LOCK (45mm B/Set) - Double-Throw

PRODUCT SPECIFICATION

- Backset: 45mm
- Deadbolt Dimensions: 47 x 10mm
- Faceplate Dimension: 240 x 22mm
- Cylinder to Spindle Centre: 85mm
- Spindle Size: 8mm
- Deadbolt Projection: 20mm
- Deadbolt Operation: Double Throw
- DIN standard through holes for insertion of security escutcheons
- Lock Body Width: 71mm
- Body Material: Steel
- Latch and Deadbolt Material: Solid Brass
- Supplied with: 1 x Strike Plate, 2 x Lock Fitting Screws & 1 x Cylinder Fitting Screw
- MADE IN ITALY

Art ID: 7435-45-2-9

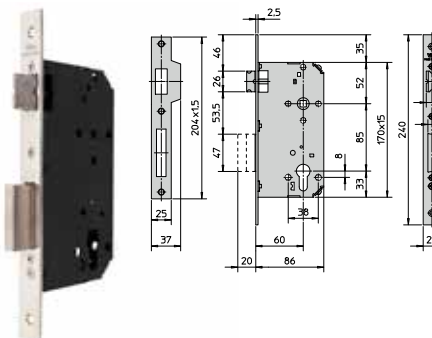


Euro Cyl. MORTICE LOCK (50mm B/Set) - Double-Throw

PRODUCT SPECIFICATION

- Backset: 50mm
- Deadbolt Dimensions: 47 x 10mm
- Faceplate Dimension: 240 x 22mm
- Cylinder to Spindle Centre: 85mm
- Spindle Size: 8mm
- Deadbolt Projection: 20mm
- Deadbolt Operation: Double Throw
- DIN standard through holes for insertion of security escutcheons
- Lock Body Width: 76mm
- Body Material: Steel
- Latch and Deadbolt Material: Solid Brass
- Supplied with: 1 x Strike Plate, 2 x Lock Fitting Screws & 1 x Cylinder Fitting Screw
- MADE IN ITALY

Art ID: 7435-50-2-9

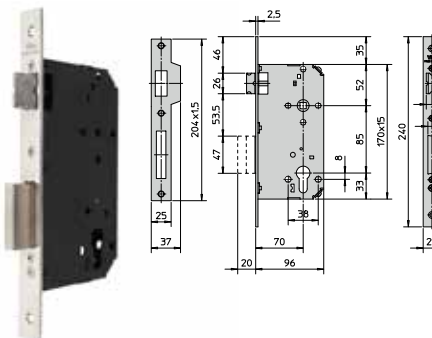


Euro Cyl. MORTICE LOCK (60mm B/Set) - Double-Throw

PRODUCT SPECIFICATION

- Backset: 60mm
- Deadbolt Dimensions: 47 x 10mm
- Faceplate Dimension: 240 x 22mm
- Cylinder to Spindle Centre: 85mm
- Spindle Size: 8mm
- Deadbolt Projection: 20mm
- Deadbolt Operation: Double Throw
- DIN standard through holes for insertion of security escutcheons
- Lock Body Width: 86mm
- Body Material: Steel
- Latch and Deadbolt Material: Solid Brass
- Supplied with: 1 x Strike Plate, 2 x Lock Fitting Screws & 1 x Cylinder Fitting Screw
- MADE IN ITALY

Art ID: 7435-60-2-9



Euro Cyl. MORTICE LOCK (70mm B/Set) - Double-Throw

PRODUCT SPECIFICATION

- Backset: 70mm
- Deadbolt Dimensions: 47 x 10mm
- Faceplate Dimension: 240 x 22mm
- Cylinder to Spindle Centre: 85mm
- Spindle Size: 8mm
- Deadbolt Projection: 20mm
- Deadbolt Operation: Double Throw
- DIN standard through holes for insertion of security escutcheons
- Lock Body Width: 96mm
- Body Material: Steel
- Latch and Deadbolt Material: Solid Brass
- Supplied with: 1 x Strike Plate, 2 x Lock Fitting Screws & 1 x Cylinder Fitting Screw
- MADE IN ITALY

Art ID: 7435-70-2-9

Brass Plated FACE PLATE & Striker Plate- Suits VIRO Mortice Locks (Backset Size)



PRODUCT SPECIFICATION

- These high quality face plates are designed to be fitted onto VIRO Mortice Locks when a Brass finish is required.
- Material: Steel
- Finish: Brass Plate
- MADE IN ITALY

ART Id.	Mortice Lock Size
7435-0606-6-046	23-30mm
7435-0606-2-046	35-70mm



- GREAT FOOD & DRINKS
- GREAT PRODUCTS
- GREAT PRIZES
- GREAT COMPANY

SGLOCKS

NATIONAL ROADSHOW



ALL LOCKSMITHS WELCOME!

See it first



See Pg 8. for more info.

ORIGINAL LISHI TOOLS



V.A.G. - HU162 can now be PICKED, DECODED & KEYS CUT

Come and see it first hand!

See Pg 9. for more info.



LUCKY DOOR PRIZES

10 x SGLOCKS \$100 Bills given away

\$1000 in Vouchers

per Meeting



1000 EDITION

1



NSW Wednesday
8th of March

**One Drop
Brewing Co**

5 Erith St,
Botany
NSW 2019



**FROM
5PM**

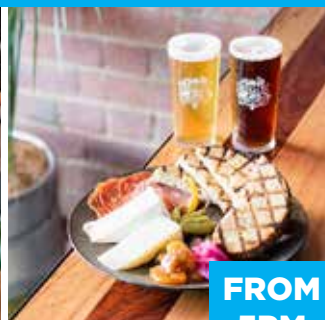
2



QLD Friday
10th of March

**Stone & Wood
Brewery**

99 Bridge St,
Fortitude Valley
Brisbane 4006



**FROM
5PM**

3



VIC Wednesday
15th of March

CBCo Brewery

89 Bertie St,
Port Melbourne
VIC 3207



**FROM
5PM**

4



SA Wednesday
22nd of March

**Bowden
Brewery**

Plant 3,
12 Fourth St,
Bowden
SA 5007



**FROM
5PM**

5



WA Friday
24th of March

**The Dutch
Trading Co**

243 Albany Hwy,
Victoria Park,
WA 6100



**FROM
5PM**



LOCKTON

commercial

**BLACK
RANGE**



LOCKTON

commercial

SEE IT FIRST AT THE
SGLOCKS
NATIONAL
ROADSHOW



SEE IT FIRST AT THE
SGLOCKS
 NATIONAL
 ROADSHOW



SGT
 ORIGINAL
 LISHITOOLS

NEW

HU162 - PICK, DECODE & CUT

Come get 'hands on' with all our ORIGINAL LISHI Tools. Try picking our New V.A.G. HU162 Locks & See how to Decode & Cut a HU162 Key on the Miracle-A9 .

Practice your skills with the SGLOCKS in-house experts



HU162 - VEHICLE COVERAGE

- **VOLKSWAGEN**
 GOLF (MK7) 2014 -
 POLO 2014-
 T-ROC 2017-
 CRAFTER 2017 -
 TIGUAN 2016-
 PASSAT 2015-
 TOUAREG 2018-
- **AUDI**
 TT- 2015-
 A4 2015-
 A7 2015-
 Q3 2015-
 Q5 2015-
 Q7 2015-
- **SKODA**
 FABIA 2014-
 KAMIQ 2019-
 KAROQ 2017-
 SCALA 2019-
 KODIAQ 2016-
 SUPERB 2015-



HU162 - DECODE & CUT KEYS

ORIGINAL LISHITOOLS LP-HU162-2015-AG - DOOR

ANSWER-BITTING

1	2	3	4	5	6	7	8	9	10
---	---	---	---	---	---	---	---	---	----

DECODING DIRECTION

TOP	1	2	3	4	5	6	7	8	9	10
BOTTOM	1	2	3	4	5	6	7	8	9	10

ANS A	1	2	3	4	5	6	7	8	9	10
ANS B	1	2	3	4	5	6	7	8	9	10
ANS C	1	2	3	4	5	6	7	8	9	10

李春勤

See how to Decode the Lock Bitting on the ORIGINAL LISHI Picks using the HU162 Table & Use the Miracle A9 to produce a new key.

PANIC BAR RANGE

PANIC EXIT DEVICE - 1-Point Locking

PRODUCT SPECIFICATION:

- Dogging (hold back function with Allen key slot in internal push bar)
- Complies with BS EN1125
- Surface mount installation
- 304B Stainless steel construction
- High Shock resistant latching mechanism
- All inside components are of high rust resistant alloy & heavily electroplated steel to avoid corrosion
- NON Handed
- Alternative external access options available
- Compatible with 201 "Round" Cylinder for exterior access
- Latch automatically dead latches when door is closed
- Standard dimensions width 820mm

Art. SGPD250-SS



PANIC EXIT DEVICE - 1-Point Locking (FIRE RATED)

PRODUCT SPECIFICATION:

- Complies with BS EN1125
- Surface mount installation
- 304B Stainless steel construction
- High Shock resistant latching mechanism
- All inside components are of high rust resistant alloy & heavily electroplated steel to avoid corrosion
- NON Handed
- Alternative external access options available
- Compatible with 201 "Round" Cylinder for exterior access
- Latch automatically dead latches when door is closed
- Standard dimensions width 820mm

Art. SGPD250-F-SS

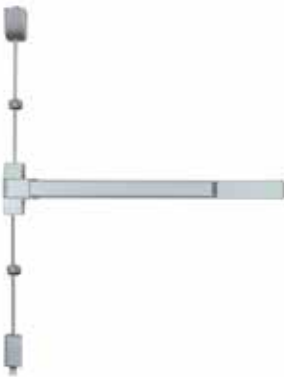


PANIC EXIT DEVICE - 2-Point Locking

PRODUCT SPECIFICATION:

- Dogging (hold back function with Allen key slot in internal push bar)
- Complies with BS EN1125
- Surface mount installation
- 304B Stainless steel construction
- High Shock resistant latching mechanism
- All inside components are of high rust resistant alloy & Heavily electroplated steel to avoid corrosion
- NON Handed
- Alternative external access options available
- Compatible with 201 "Round" Cylinder for exterior access
- Latch automatically dead latches when door is closed
- Standard dimensions width 820mm x 2438mm

Art. SGPD250VR-SS

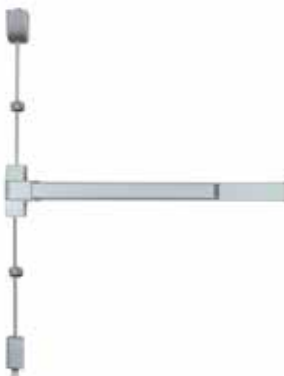


PANIC EXIT DEVICE - 2-Point Locking (FIRE RATED)

PRODUCT SPECIFICATION:

- Complies with BS EN1125
- Surface mount installation
- 304B Stainless steel construction
- High Shock resistant latching mechanism
- All inside components are of high rust resistant alloy & Heavily electroplated steel to avoid corrosion
- NON Handed
- Alternative external access options available
- Compatible with 201 "Round" Cylinder for exterior access
- Latch automatically dead latches when door is closed
- Standard dimensions width 820mm x 2438mm

Art. SGPD250VR-F-SS



DOUBLE DOOR PANIC EXIT KITS



Panic Exit DOUBLE DOOR KITS 'STANDARD' Door sizes

PRODUCT SPECIFICATION:


- Complies with BS EN1125
- Surface mount installation
- 304B Stainless steel construction
- High Shock resistant latching mechanism
- All inside components are of high rust resistant alloy & heavily electroplated steel to avoid corrosion
- NON Handed
- Alternative external access options available
- Compatible with 201 "Round" Cylinder for exterior access
- Latch automatically dead latches when door is closed
- Single Point Panic Bar - width 820mm
- Double Point Panic Bar - width 900mm
- Suits standard door size (820mm) can be cut down up to 170mm to suit smaller doors
- Dogging - hold back function with Allen key slot in internal push bar (Non - Fire rated model only)



KIT INCLUDES:

- Single Point Panic Bar
- Double Point Panic Bar
- Overlapping Strike

STANDARD DOOR SIZE KITS

Art ID.	Description
SGPD250-DDKIT	Panic Exit DOUBLE DOOR KIT - Standard Door sizes - w/ Hold Back Function - Inc. 2 x Panic Bars & 1 x Overlapping Strike
 SGPD250-F-DDKIT	'FIRE RATED' Panic Exit DOUBLE DOOR KIT - Standard Door Sizes - Inc. 2 x Panic Bars & 1 x O/Lap. Strike

Panic Exit DOUBLE DOOR KITS 'WIDE' Door sizes

PRODUCT SPECIFICATION:

- Complies with BS EN1125
- Surface mount installation
- 304B Stainless steel construction
- High Shock resistant latching mechanism
- All inside components are of high rust resistant alloy & heavily electroplated steel to avoid corrosion
- NON Handed
- Alternative external access options available
- Compatible with 201 "Round" Cylinder for exterior access
- Latch automatically dead latches when door is closed
- Single & Double Point Panic Bar - width 1120mm
- Suits standard door size (1120mm) can be cut down up to 170mm to suit smaller doors
- Dogging - hold back function with Allen key slot in internal push bar (Non - Fire rated model only)




KIT INCLUDES:

- Single Point Panic Bar
- Double Point Panic Bar
- Overlapping Strike



WIDE DOOR SIZE KITS

Art ID.	Description
SGPD250-WD-DDKIT	Panic Exit DOUBLE DOOR KIT - Wide Door sizes - w/ Hold Back Function - Inc. 2 x Panic Bars & 1 x Overlapping Strike
 SGPD250-WD-F-DDKIT	'FIRE RATED' Panic Exit DOUBLE DOOR KIT - Wide Door Sizes - Inc. 2 x Panic Bars & 1 x O/Lap. Strike

PANIC BAR RANGE ACCESSORIES

NEW



Art. LT-SGPDBS-FM

Flush Mounted **BOTTOM STRIKE** for 2-Point Panic Exit Devices

PRODUCT SPECIFICATION

Strike Dimensions (L x W x T): 70 x 46 x 2mm
Supplied with:

- 2 x Fixing Screws w/ Spreader Bolts
- 1 x Latch Housing Box

NEW



Art. LT-SGPDDOGKEY

DOGGING KEY for *Non-Fire Rated* (Hold Open)

PRODUCT SPECIFICATION

The dogging key when used, keeps the panic bars latch in the retracted (unlocked) position so that the doors can be pushed open without the need to use a key or similar access mediums.

NEW



Art. LT-SGPDESK

EXTENSION SPINDLE KIT for Panic Exit Device Lever Sets

This spindle extends the standard fitted spindle, allowing the suitable leversets to be used on thicker doors.

PRODUCT SPECIFICATION

- Material: Stainless Steel
- Spindle Length: 10mm
- Comes with: 2 x Spare grub screws



Art. LT-SGPDETR-1

EXTENSION ROD for Panic Exit Device - 300mm

PRODUCT SPECIFICATION

- 300mm extension rod
- Designed to work with LOCKTON PANIC EXIT DEVICES
- Compatible with Art. ID SGPDETR-G



Art. LT-SGPDETR-2

EXTENSION ROD for Panic Exit Device - 600mm

PRODUCT SPECIFICATION

- 600mm extension rod
- Designed to work with LOCKTON PANIC EXIT DEVICES
- Compatible with Art. ID SGPDETR-G Guide Block



Art. SGPDETR-G

Extension Rod GUIDE for Panic Exit Device

PRODUCT SPECIFICATION

- SGPDETR-G Guide for vertical rods
- Perfect for use with taller doors
- Helps keep rods straight
- Material: Stainless Steel
- Compatible with Art. ID SGPDETR-1 and SGPDETR-2der Bolts

NEW



Art. SGPDGSK

Glass Door SHIM KIT for Panic Exit Devices (Suitable for All 1-Point Locking)

PRODUCT SPECIFICATION

- Kit Contains: 1 x Large Shim Plate, 1 x Small Shim Plate
- Large Plate Dimensions: 154 x 95 x 3mm
- Small Plate Dimensions: 60 x 27 x 3mm

NEW



Art. SGPDGSK-VR

Glass Door SHIM KIT for Panic Exit Devices (Suitable for All 2-Point Locking)

PRODUCT SPECIFICATION

- Kit Contains: 1 x Large Shim Plate, 2 x Medium Shim Plates, 1 x Small Shim Plate & 2 x X-Small Shim Plates
- Large Plate Dimensions: 154 x 95 x 3mm
- Medium Plate Dimensions: 100 x 54 x 3mm
- Small Plate Dimensions: 60 x 27 x 3mm
- X-Small Plate Dimensions: 45 x 33 x 3mm



Art. LT-SGPDOS710

OVERLAPPING STRIKE for Panic Exit Device

PRODUCT SPECIFICATION

- Used with single point panic bars
- Used as a part when installing on double doors (Vertical Locking , Single point locking & Overlapping strike)
- Material: Stainless Steel
- Dimensions: 73 x 68mm
- Comes with: 6 x Fixing Screws

NEW



LT-SGPDPT-RC

PULL TRIM for Panic Exit Device - For Rim (201) Cylinder

PRODUCT SPECIFICATION

- The Trim is designed to provide an easy pull contact surface when opening an emergency exit door from the outside.
- Material: Stainless Steel
- Length: 75mm
- Width: 45mm
- Thickness: 2mm

NEW



Art. SGPDPT-T

PULL TRIM for Panic Exit Device - with Turn Handle (Passage / No Cylinder)

- This Pull Trim Handle is designed to be used with Panic Exit Devices with PASSAGE Configuration.
- Material: Stainless Steel
- Diameter: 80mm
- Comes with: 2 x Fixing Screws + 1 x Spindle

NEW



Art. SGPDSK-1P

SHIM KIT for Strike supplied with 1-Point Locking Panic Exit Device

PRODUCT SPECIFICATION

- Can act as an extension or packing plate for the strike to suit the needs of the job.
- Material: Stainless Steel
- Length: 92mm
- Width: 32mm
- Thickness: 3mm

NEW



Art. LT-SGPDNSB-50

SEX NUTS & BOLTS for 32 - 50.8mm Thick Doors

PRODUCT SPECIFICATION

- LOCKTON Sex Nuts & Bolts, designed for fixing through doors for added installation strength.
- Suitable Door Thicknesses: 32 - 50.8mm
- Material: Stainless Steel
- Items per Pack: 1 x Nut & 1 x Bolt

NEW



LT-SGPDNSB-57

SEX NUTS & BOLTS for 50.8 - 57.15mm Thick Doors

PRODUCT SPECIFICATION

- LOCKTON Sex Nuts & Bolts, designed for fixing through doors for added installation strength.
- Suitable Door Thicknesses: 50.8 - 57.15mm
- Material: Stainless Steel
- Items per Pack: 1 x Nut & 1 x Bolt



Art. SGPDX55LL1

EXTERNAL TRIM for Panic Exit Device - Entrance

PRODUCT SPECIFICATION

- Panic Entrance External Lever.
- Accepts PD Cylinder
- Spindle suits doors 45 - 57mm thick
- Material: Stainless Steel
- Lock Function: Entrance



Art. LT-SGPDX55LL2

EXTERNAL TRIM for Panic Exit Device - Storeroom

PRODUCT SPECIFICATION

- Panic Storeroom External Lever.
- Accepts PD Cylinder
- Spindle suits doors 45 - 57mm thick
- Material: Stainless Steel
- Lock Function: Storeroom



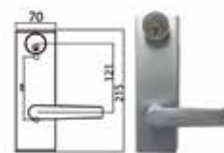
SGPDXELSS
External Trim Lever
with Escutcheon

Art. SGPDXELSS-E

ESCUTCH. LEVER for Panic Exit Device - Entrance (Half Euro)

PRODUCT SPECIFICATION

- Panic External Entrance Lever
- Accepts Half Euro cylinder
- Cylinder Sold Separately
- Dimensions: 215 x 70mm
- Material: Stainless Steel



Art. SGPDXELSS-S

ESCUTCH. LEVER for Panic Exit Device - Storeroom (Kawneer)

PRODUCT SPECIFICATION

- Accepts Kawneer cylinder
- Dimensions: 215 x 70mm
- Material: Stainless Steel
- Cylinder Sold Separately

NEW



Art ID: 4212

NEW



Art ID: 4222

NEW



Art ID: 4222-TC-KIT

SEE IT FIRST AT THE
SGLOCKS
NATIONAL
ROADSHOW



HEAVY DUTY VEHICLE SECURITY

4212
VAN LOCK 'COMPACT'
- Light Commercial Vehicles

4222
VAN LOCK 'HIGH SECURITY'
-for Commercial Vehicles

4222-TC-KIT
TRUCK/CONTAINER LOCK KIT
-for Truck / Container applications

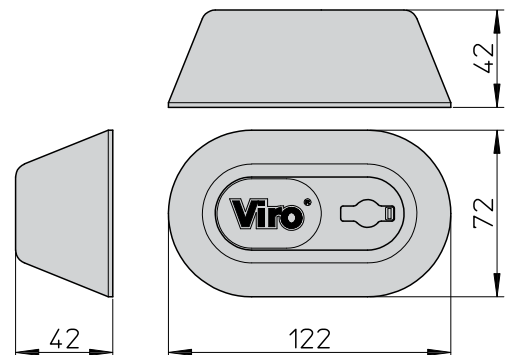




VAN LOCK - 'COMPACT' Suits Light Commercial Vehicle

PRODUCT DESCRIPTION

- This innovative lock has an ergonomic, compact design that is easy to install and is compatible with the vast majority of vans on the market.
- The lock can be installed either on rear outward opening doors or on side mounted sliding doors.
- Very versatile to install, since it allows and makes up for (with spacers) any door misalignment.
- Automatically locks when pushed shut without any need for a key; it offers a high degree of security thanks to the fastening system and the anti-drill plate.
- The exterior of the lock is also extremely difficult to establish a grip on, making it a great anti-theft deterrent.
- The latch can also be 'held back' allowing a passage mode when the door is required to be frequently operated.
- The lock also comes with an emergency opening handle on the inside edge.



PRODUCT SPECIFICATION

- Materials: Zamak Alloy body and Inox Stainless Steel external cover and bolt
- Weight: 1170 g
- Dimensions: 122 x 72 x 42mm
- Supplied with: 1 x Strike Plate, Inox Stainless Steel Fixing Screws, Bolts, Washers & Rivets, 1 x Adhesive Drill Template, 1 x Scratch Proof Rubber Seal, Stainless Steel and Nylon Shims
- 5 pins brass cylinder, protected by a 1.5 mm thick tempered and satin-finish AISI 420B inox stainless steel rotating anti-drill and anti-burglary plate
- Supplied with 2 Viro Top Security profile nickel-plated brass keys, coated with non-slip nylon ergonomic grip.
- Lock protected by weather proof cap
- MADE IN ITALY



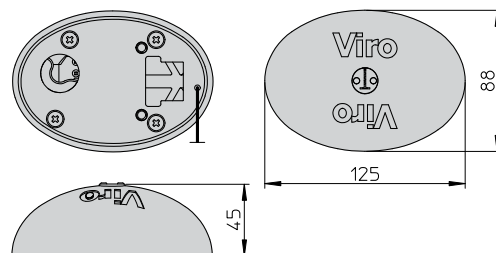
Qty.	Art ID.
Single Lock	4212
Pair KA	4212-PAIR
Trio KA	4212-TRIO



VAN LOCK - 'HIGH SECURITY' Suits Heavy Duty Commercial Vehicle

PRODUCT DESCRIPTION

- This innovative & unique Van Lock shape (patented) is free of any sharp edges or gripping points making it extremely difficult to establish a grip on, making it a great anti-theft deterrent.
- The strong, corrosion-proof stainless steel offers a high resistance to an attack from power tools etc. & great weather protection.
- High degree of security due to the fastening system, the 7-pin key and the anti-drill plate.
- The lock can be installed either on rear outward opening doors or on side mounted sliding doors.
- Lock and strike is secured to the vehicle via 2 x anchoring plates
- Very versatile to install, since it allows and makes up for (with spacers) any door misalignment.
- Locks automatically when pushed shut without any need for a key; it offers an high degree of security thanks to the fastening system and the anti-drill pate.
- Key can only be removed when the fastening unit is closed for greater security whilst also lessening the chance of losing or forgetting the key. The fastening unit can also be "held open" with the key inserted and fully turned.
- The lock also comes with an emergency opening cable handle on the inside edge.



PRODUCT SPECIFICATION

- Material: Electropolished Inox Stainless Steel
- Weight: 1.95kg
- Dimensions: 125 x 88 x 45mm
- Supplied with: 2 x Anchoring Plates, Inox Stainless Steel Fixing Screws, Bolts, Washers & Rivets, 1 x Adhesive Drill Template, 1 x Scratch Proof Rubber Seal, Stainless Steel and Nylon Shims.
- 7 pins brass cylinder, protected by a 1.5 mm thick tempered and satin-finish AISI 420B inox stainless steel anti-drill plate
- Supplied with 3 Viro Top Security profile nickel-plated brass keys, easy to grip
- Lock protected by weather proof cap
- MADE IN ITALY



Qty.	Art ID.
Single Lock	4222
Pair KA	4222-PAIR
Trio KA	4222-TRIO



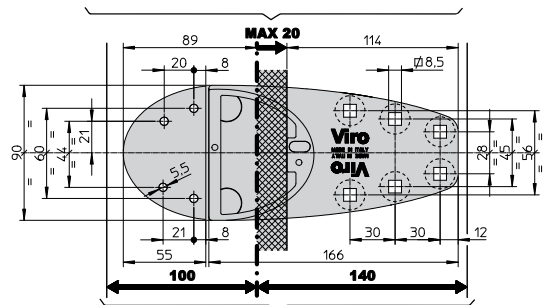
TRUCK/CONTAINER LOCK KIT - 'HIGH SECURITY' Suits Truck & Container

PRODUCT DESCRIPTION

- This kit is designed to add High Security to both Trucks & Containers
- This innovative & unique patented kit is free of any sharp edges or gripping points making it extremely difficult to establish a grip on, making it a great anti-theft deterrent.
- The strong, corrosion-proof stainless steel offers a high resistance to an attack from power tools etc. & great weather protection.
- High degree of security due to the fastening system, the 7-pin key and the anti-drill plate.
- The lock can be installed on rear and front facing doors opening doors.
- Automatically Locks when pushed shut without any need for a key.
- Key can only be removed when the fastening unit is closed for greater security whilst also lessening the chance of losing or forgetting the key.
- The fastening unit can also be 'held open' with a practical device supplied which allows the mechanism to be unlocked from inside in the open position without leaving the key inserted.
- The lock also comes with an emergency opening push button device on the inside edge.
- The kit comes with numerous fixing components such as screws, rivets and shims to ensure the kit can be fitted to the vast majority of trucks and containers.

PRODUCT SPECIFICATION

- Material: Electropolished Inox Stainless Steel Van Lock and fully Galvanised Steel Plates
- Weight: 5kg
- Dimensions: 223 x 90 x 61mm
- Supplied with: Anchoring & Adaptor Plates, Inox Stainless Steel Fixing Screws, Bolts, Washers & Rivets, 1 x Adhesive Drill Template, 1 x Scratch Proof Rubber Seal, Stainless Steel and Nylon Shims, Installation Instructions
- Lock protected by weather proof cap
- Supplied with 3 Viro Top Security profile nickel-plated brass keys, easy to grip
- MADE IN ITALY



Art ID: 4222-TC-KIT

NEW

KEY RACK - 16 Hook (Free Standing - suitable for Safes)

PRODUCT DESCRIPTION:

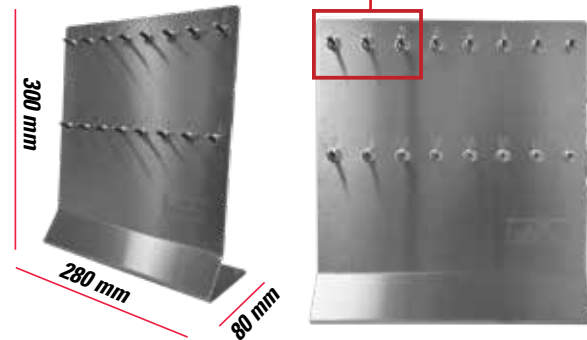
- BURG-WÄCHTER Art. SB-700/16-NI Free Standing Key Rack.
- This robust and practical 16 Hook Key Rack is a great addition to an existing or new BURG Safe Installation.
- The durable rack is ideal for use by companies, administrative settings and also car rental spaces just to name a few applications.
- Organisation is simple and effective and the engraved hook numbers are highly resistant to wear and fading.

Compatible with:

- P4E
- CL440
- CL460
- MT660
- MTD750
- MTD760
- MTD780

PRODUCT SPECIFICATIONS:

- Material: Stainless Steel
- Dimensions: 300 x 280 x 80mm
- Weight: 1.3kg
- Number of Hooks: 16
- MADE IN GERMANY



Art. ID: SB-700/16-NI

Examples of Compatible Safes:

POINTS SAFE



Art ID. P4-E

- Exterior Size (H x W x D): 500 x 416 x 350
- Interior Size (H x W x D): 490 x 410 x 288
- Door Size (H x W): 423 x 290
- Wall thickness: 2mm + Manganese hardened steel plate for added drill protection to sensitive areas
- Door thickness: 7mm
- Weight (Kg): 25.5
- Volume (L): 57.9

Combi-Line



Art ID. CL440-E

- Exterior Size (H x W x D): 560 x 495 x 445 (not including key pad)
- Keypad protrudes 15mm & handle protrudes 63mm only when pulled out to open safe
- Interior Size (H x W x D): 445 x 380 x 297
- Door Size (H x W): 445 x 325
- Weight (KG): 77
- Volume(L): 50

KARAT



Art ID. MT660-E-FP

- Exterior Size (H x W x D): 530 x 430 x 390
- Interior Size (H x W x D): 440 x 348 x 294
- Door Size (H x W): 440 x 336
- Weight (KG): 60
- Volume(L): 45.3
- Keypad protrudes 15mm & handle protrudes 63mm only when pulled out to



INSURABLE RATING
Recommended up to
\$110,000



SECURITY GRADE B ECB-S/VdS
Certified protection against burglary



FIRE RESISTANCE GRADE LFS 60 P
Certified protection against fire

Electronic / Fingerscan
(EN 1300 CLASS B LÖCK)



- New Pad design
- High quality touch electronics
- 1 administrator and 9 user codes
- Simple intuitive menu structure
- Time - Date - Year
- Audit trail
- Integrated fingerprint module
- 20 fingerprints

'Diplomat' SAFE - Electronic/Finger Scan

PRODUCT DESCRIPTION:

- Tested and supervised security by ECB.S/VdS.
- Insurance rating \$110,000
- Certified protection against burglary and fire.
- ECB.S Certified to Resistance Grade 1
- Resistance Grade I according to EN 1143-1
- Certified fire protection according to EN 15659. LFS 60 P
- Certified 60 minute protection against fire.
- Triple-walled body with armoured, special fireproof insulation.
- BURG-WÄCHTER special 'FPC Buildup' insulation in body and door.
- Special rear wall construction with additional armouring.
- Four-walled door with extensive armouring to protect boltwork and lock.
- Door also features BURG-WÄCHTER's patented, non-resettable double emergency locking system.
- Four sided locking through strong round bolts.
- Recessed door for added protection.
- Specially concealed hinges.
- Heat sensitive seals - swells to seal door in event of a fire.
- Prepared for both wall and floor fixing - fixing materials included.
- Accepts up to 12mm bolt
- Depth for files of common size, with 1 adjustable shelf.
- Silver metallic finish.

SecuTronic - the first biometric safe lock with VdS Certification

- Developed by BURG-WÄCHTER.
- VdS approved lock with fingerscan module, EN 1300 class 2.
- Programmable electronic lock.
- 10 x 6-digit pincodes.
- 1,000,000 possible combinations.
- Up to 20 x fingerscans.
- When opening with fingerscan, 2 different fingers must be entered/programmed.
- Scanner only accepts 'real, live fingers.'
- Precise finger scanner, for accurate reading.
- Intelligent, menu driven operation.
- Administration of up to 10 users, 1,000,000 million different combinations and up to 300 optional TSE E-keys.
- User names, access times and rights, calendar functions etc are available.



Art. MTD780-E-FP

- Exterior Size (H x W x D): 985 x 500 x 462 (not including key pad)
- Keypad protrudes 15mm & handle protrudes 63mm only when pulled out to open safe
- Interior Size (H x W x D): 860 x 372 x 300
- Door Size (H x W): 860 x 337
- Weight (KG): 186
- Volume(L): 96.0



Art. MTD760-E-FP

- Exterior Size (H x W x D): 625 x 500 x 462 (not including key pad)
- Keypad protrudes 15mm & handle protrudes 63mm only when pulled out to open safe
- Interior Size (H x W x D): 500 x 372 x 300
- Door Size (H x W): 500 x 337
- Weight (KG): 132
- Volume(L): 55.8



Art. MTD750-E-FP

- Exterior Size (H x W x D): 470 x 500 x 462 (not including key pad)
- Keypad protrudes 15mm & handle protrudes 63mm only when pulled out to open safe
- Interior Size (H x W x D): 345 x 372 x 300
- Door Size (H x W): 345 x 337
- Weight (KG): 104
- Volume(L): 38.5

DOOR CLOSERS



'100 Series' DOOR CLOSER - Rack & Pinion (2/3/4)

PRODUCT SPECIFICATION:



- SGDC100-S Door Closer
- Rack & Pinion operation
- Non-handed
- Comes with Standard arm
- Parallel Arm Bracket
- Mounting hardware
- Simple to read installation instructions
- ** Hold open arm - Optional Accessory**
- Closing range 180° - 15°
- Latching speed range 15° - 0°
- Suitable for door sizes 2/3/4 by template adjustment
- Size #2: Door width of 850mm & Weight of 40kg
- Size #3: Door width of 950mm & weight of 60kg
- Size #4: Door width of 1100mm & Weight of 80kg
- 5 year warranty

Art. **SGDC100-S**

'150 Series' DOOR CLOSER - Rack & Pinion - (2/3/4)

PRODUCT SPECIFICATION:



- SGDC150-S Door Closer
- Rack & Pinion operation
- Non-handed
- Comes with Standard arm
- Parallel Arm Bracket
- Mounting hardware
- Simple to read installation instructions
- ** Hold open arm - Optional Accessory**
- Closing range 180° - 15°
- Latching speed range 15° - 0°
- Suitable for door sizes 2/3/4 by template adjustment
- Size #2: Door width of 850mm & Weight of 40kg
- Size #3: Door width of 950mm & weight of 60kg
- Size #4: Door width of 1100mm & Weight of 80kg
- 5 year warranty

Art. **SGDC150-S**

'160 Series' DOOR CLOSER - Rack & Pinion - (2-4)

PRODUCT SPECIFICATION:



- SGDC160-S Door Closer
- Rack & Pinion operation
- Non-handed
- Comes with Standard arm
- Parallel Arm Bracket
- Mounting hardware
- Simple to read installation instructions
- ** Hold open arm - Optional Accessory**
- Closing range 180° - 15°
- Latching speed range 15° - 0°
- Suitable for door sizes 2-4
- Size #2: Door width of 850mm & Weight of 40kg
- Size #3: Door width of 950mm & weight of 60kg
- Size #4: Door width of 1100mm & Weight of 80kg
- 5 year warranty
- Fire Rated AS1905, As1530

Art. **SGDC160-S**

'165 Series' DOOR CLOSER - Rack & Pinion - (2-6)



PRODUCT SPECIFICATION:

- SGDC165-S Door Closer
- Rack & Pinion operation
- Non-handed
- Comes with Standard arm
- Parallel Arm Bracket
- Mounting hardware
- Simple to read installation instructions
- ** Hold open arm - Optional Accessory**
- Closing range 180° - 15°
- Latching speed range 15° - 0°
- Suitable for door sizes 2-6
- Size #2: Door width of 850mm & Weight of 40kg
- Size #3: Door width of 950mm & weight of 60kg
- Size #4: Door width of 1100mm & Weight of 80kg
- Size #5: Door width of 1250mm & Weight of 100kg
- Size #6: Door width of 1400mm & Weight of 120kg
- 5 year warranty
- Fire Rated AS1905, As1530

Art. **SGDC165-S**

'190 Series' DOOR CLOSER - Cam Action - PULL (1-4)



PRODUCT SPECIFICATION:

- SGDC190-S Door Closer
- Cam Action
- B-Type - Pull side of the door fixing & Push side transom fixing
- G-Type - Push side of the door fixing & Pull side transom fixing
- **Optional Hold open insert**
- Mounting hardware
- Simple to read installation instructions
- Closing range 180° - 15°
- Latching speed range 15° - 0°
- Suitable for door sizes 1-4
- Size #2: Door width of 850mm & Weight of 40kg
- Size #3: Door width of 950mm & Weight of 60kg
- Size #4: Door width of 1100mm & Weight of 80kg
- 5 year warranty
- Fire Rated AS1905, As1530
- Tested & certified to BS EN 1154:1997

Art. **SGDC190-S-B**
(PULL)

Art. **SGDC190-S-G**
(PUSH)

'195 Series' DOOR CLOSER - Cam Action - PULL (1-5)



PRODUCT SPECIFICATION:

- SGDC195-S Door Closer
- Cam Action
- B-Type - Pull side of the door fixing & Push side transom fixing
- G-Type - Push side of the door fixing & Pull side transom fixing
- **Optional Hold open insert**
- Mounting hardware
- Simple to read installation instructions
- Closing range 180° - 15°
- Latching speed range 15° - 0°
- Suitable for door sizes 1-5
- Size #2: Door width of 850mm & Weight of 40kg
- Size #3: Door width of 950mm & weight of 60kg
- Size #4: Door width of 1100mm & Weight of 80kg
- Size #5: Door width of 1100mm & Weight of 100kg
- 5 year warranty
- Fire Rated AS1905, As1530
- Tested & certified to BS EN 1154:1997

Art. **SGDC195-S-B**
(PULL)

Art. **SGDC195-S-G**
(PUSH)

REKEYABLE PADLOCKS



'500 Series' 40mm PADLOCK - S/STEEL SHACKLE (KD)

PRODUCT DESCRIPTION

- 500-40-KD 40mm Padlock
- 40mm Solid brass body
- Keyed to differ
- 6.35mm Stainless steel - Quick change shackle
- Re-Keyable 6 pin cylinder
- Suits Inline restricted key systems
- Can be made from key release to key retain

Art. **500/40-KD**



'500 Series' 45mm PADLOCK - BORON SHACKLE (KD)

PRODUCT DESCRIPTION

- 500-45-KD 45mm Padlock
- 45mm Solid brass body
- Keyed to differ
- 8mm Boron - Quick change shackle
- Re-Keyable C4 6 pin cylinder
- Suitable for restricted key systems
- Can be made from key release to key retain

Art. **500/45-KD**



'500 Series' 50mm PADLOCK - BORON SHACKLE (KD)

PRODUCT DESCRIPTION

- 500-50-KD 50mm Padlock
- 50mm Solid brass body(Nickle plated)
- Keyed to Differ
- 9mm Boron - Quick change shackle
- Re-Keyable C4 6 pin cylinder
- Suitable for restricted key systems
- Can be made from key release to key retain

Art. **500/50-KD**



'500 Series' 55mm PADLOCK - BORON SHACKLE (KD)

PRODUCT DESCRIPTION

- 500-55-KD 55mm Padlock
- 55mm Solid brass body (Chrome plated)
- Keyed to differ
- 10mm Boron - Quick change shackle
- Re-Keyable C4 6 pin cylinder
- Suitable for restricted key systems
- Can be made from key release to key retain

Art. **500/55-KD**

PADLOCKS & ACCESSORIES

NEW



'500 Series' Padlock CYLINDER CAM - Suits Bilock & EVVA Rest. Cyls (Pkt 20)

PRODUCT DESCRIPTION

- LOCKTON Art. 500.CAM-BE Padlock Cylinder Cams. Designed to convert BILOCK and EVVA Padlock Cylinders to suit the LOCKTON Padlock Range.

PRODUCT SPECIFICATION

- Packet Qty.: 20
- Padlock Cyl. Compatibility: Bilock & EVVA
- Material: Brass

Art. **500.CAM-BE**

40mm Padlock Shackles



Stainless Steel

Shackle Size/ Clearance	.Stainless Steel Art ID.	Shackle Diameter
27mm	LT-500-40.27-SS	6.35mm
50mm	LT-500-40.50-SS	6.35mm
75mm	LT-500-40.75-SS	6.35mm

45mm Padlock Shackles



Stainless Steel

Boron Alloy

Brass

Shackle Size/ Clearance	Stainless Steel Art ID.	Boron Alloy Art ID.	Brass Art ID.	Shackle Diameter
27mm	LT-500-45.27-SS	LT-500-45.27	LT-500-45.27-BR	8mm
38mm	LT-500-45.38-SS	LT-500-45.38	LT-500-45.38-BR	8mm
50mm	LT-500-45.50-SS	LT-500-45.50	LT-500-45.50-BR	8mm
75mm	LT-500-45.75-SS	LT-500-45.75	LT-500-45.75-BR	8mm
90mm	LT-500-45.90-SS	LT-500-45.90	LT-500-45.90-BR	8mm

50mm Padlock Shackles



Stainless Steel

Boron Alloy

Shackle Size/ Clearance	Stainless Steel Art ID.	Boron Alloy Art ID.	Shackle Diameter
30mm	LT-500-50.30-SS	LT-500-50.30	9mm
50mm	LT-500-50.50-SS	LT-500-50.50	9mm
75mm	LT-500-50.75-SS	LT-500-50.75	9mm
90mm	LT-500-50.90-SS	LT-500-50.90	9mm

55mm Padlock Shackles



Stainless Steel

Boron Alloy

Shackle Size/ Clearance	Stainless Steel Art ID.	Boron Alloy Art ID.	Shackle Diameter
27mm	LT-500-55.27-SS	LT-500-55.27	10mm
50mm	LT-500-55.50-SS	LT-500-55.50	10mm
75mm	LT-500-55.75-SS	LT-500-55.75	10mm

RECENT UPDATES



HYUNDAI (Version: V4.S0)

- Adds coverage for models up to 2023 including i30, Santa Fe, and Sonata.
- Supports VIN decoding function for models up to 2023.

KIA (Version: V4.S0)

- Adds coverage for models up to 2023
- Supports VIN decoding function for models up to 2023.

NISSAN (Version: V4.S0)

- Adds PIN-free function All Smart Keys Lost for X-Trail (T33)/Rogue (T33) (2021-). [Blockbuster upgrade]
- Adds coverage for models up to 2023 including Patrol, X-Trail, Z, and Terra.
- Adds related wiring instruction menu for Sylphy (B18) and X-Trail (T33)/Rogue (T33).

HONDA (Version: V4.S0)

- Adds Key Learning function for new models including 11th-generation Civic, CRV, and Integra. [Blockbuster upgrade]

MITSUBISHI (Version : V4.S0)

- Adds PIN-free Smart Key Learning function for new Outlander (2022). [Blockbuster upgrade]

TOYOTA (Version: V4.20)

- Adds Back Up IMMO Data via OBD function for smart key-equipped models as of 2017 (equipped with 8A_A8 (TMLF12)/8A_A9 (TMLF15)/8A_AA (TMLF18D) smart main ECU).
- Adds Back Up IMMO Data function for multiple types of smart main ECU for models as of 2017.

LEXUS (Version: V4.20)

- Adds Back Up IMMO Data via OBD function for smart key-equipped models as of 2017 (equipped with 8A_A8 (TMLF12)/8A_A9 (TMLF15)/8A_AA (TMLF18D) smart main ECU).
- Adds Back Up IMMO Data function for multiple types of smart main ECU for models as of 2017.

OPEL (Version : V3.90)

- Adds ECM read & write function for EDC16C9, EDC16CP33, and EDC16C36.
- Optimizes IMMO learning process for models including Astra J and Agila.

PEUGEOT (Version: V4.10)

- Adds ECU read & write function for EDC16C34, EDC16C39, EDC16CP39, and EDCI 7CP11.

FIAT (Version: V4.10)

- Adds parts replacement function for the following models: 500 (2006-2021), 500C (2011-2021), 500e (2013-2019), 500L (2012-2021), Aventura (2014-2018), Bipper (2007-2017), Boxer (2011-2017), Cinquecento (2007-2021), Daily (2012-2020), Doblo (2008-2021), Ducato (2010-2019), Fiorino (2008-2021), Grand Punto (2005-2014), Jumper (2012-2017), Mini Cargo (2008-2021), Nemo (2007-2017), New Fiorino (2008-2021), Ottimo (2014-2018), Panda (2011-2021), Panorama (2005-2010), Pratico (2010-2021), ProMaster, ProMaster City, ProMaster Rapid, Punto (2009-2021), Punto Evo (2009-2021), Qubo (2008-2021), and Viaggio (2011-2018).
- Adds Emergency Start (All Keys Lost) function for the following models with blade key: Boxer (2006-2011), Bravo (2003-2014), Daily (2006-2011), Ducato (2006-2012), Grand Siena (2012-2018), Idea (2007-2012), Jumper (2007-2012), Linea (2005-2018), Patio (2012-2016), Power Daily (2006-2014), Punto (2006-2017), Ritmo (2007-2009), Stilo (2007-2012), and Zastava 10 (2005-2008).
- 3. Adds one type of Read Immobilizer Data Function for the following models: 500L (2012-2021), Boxer (2011-2017), Daily (2012-2020), Ducato (2010-2019), Jumper (2012-2017), Pro Master, and ProMaster Rapid.

ML20

Restricted Key System

See it at
SGLOCKS
NATIONAL
ROADSHOW



“A great opportunity to support your Association”



The latest Restricted Key System developed for the Master Locksmiths Association of Australasia (MLAA) and proudly supplied by SG Lock & Security.

Designed by the best in the industry with a superior key profile design that ensures the key clamps & cuts correctly and is one of the hardest inline restricted systems to manipulate on the market.

4 different key profiles, a massive range of 52 different barrels and design registration until 2030 on ALL 4 Key Profiles (A, B, C & M).

WORKSHOP TOOLS

PROXXON

Compact Bench DRILL MACHINE

- Great compact size suitable for Van use
- Super stable die-cast head with VDE approved 220 - 240V motor.
- Very quiet
- Power transmission by aluminium pulleys and flat belt.
- Three spindle speeds (triple torque at low speeds).
- Feed lever with adjustable depth scale.
- Supplied with:
- 6 x Triple slit precision collets for shaft sizes 1 - 1.5 - 2 - 2.4 - 3 - 3.2 mm
- Power: 230V (85W)
- Spindle Speed: 1,800, 4,700 & 8,500 rpm
- Weight: 3.3 kg



340mm

120mm

Art ID. 28128

PROXXON

SOLDERING IRON (EL-A) - Internal Battery (3.6V)

- Short heat-up time.
- Extra-large battery capacity
- Long operation time.
- Comes with integrated light for illuminating working area.
- Protective cover
- Solder tube included
- Rapid charger with for short charging time of approx. one hour.
- Voltage: 3.6V
- Battery Life: 2.0Ah
- Weight: 120g
- Max. Temperature: 470°C
- Great for Access Control & Light Automotive work !



Art ID. 28142

BMI

'Ultrasonic' SPIRIT LEVEL - Magnetic (20 cm)

- Magnetic
- Accurate to 0.5mm/m
- 2 Ultrasonic Welded Vials
- 1.8mm Thick Aluminium Construction
- MADE IN GERMANY
- Length: 20cm



Art ID. 692-020-M



BMI

'Viso' POCKET TAPE - 3-Function (3 Metre)

- Longitudinal, Internal & Circle Measuring
- Polyamide Case
- Graduations: Millimetres (mm)
- Width: 17mm
- MADE IN GERMANY



Art ID. 405-03



BMI

'Vario' POCKET TAPE - MINI (3 Metre)

- Graduations: Millimetres (mm)
- Tape Width: 13mm
- Body size: 50 x 50 x 22mm
- MADE IN GERMANY



Art ID. 411-MINI



• DRILLING



• PLIERS



• CHISELS



• PUNCHES & HAMMERED TOOLS



• CUTTERS



• SPANNERS & WRENCHES

BOKER

Carry MAGNET - 420 Newton Cap.

(With Handle)

- Rubber coated carry magnet
- Capacity: 420 Newton/ 50Kgs
- Diameter: 88mm
- MADE IN GERMANY



Art ID. 3202



BOKER

CENTRE PUNCH (Heavy Stock)

- Chrome Vanadium Steel
- Impact Resistant Head
- Octagonal Stock
- MADE IN GERMANY
- Overall Length: 120mm and 150mm
- Stock: 10mm, 12mm and 16mm



Art ID. 4920-10



BOKER

Number & Letter PUNCH SET - 100 pce (Incl.

Punch Holder)

- Combined set of FIGURE & LETTER PUNCHES (Capital Letters)
- 100 piece set - includes spaces and multiples
- Solid high quality type-holder
- Hinged wooden box
- Each punch hardened to 58-60 HRC



Art ID. 965-03



BOKER

Parallel PIN PUNCH SET - 6 Pce (3 - 8mm)

- Chrome vanadium steel
- Impact resistant head
- Octagonal stock
- Overall length: 150mm



Art ID. 988/6-P



BOKER

Letter PUNCH SET ('A' - 'Z') - Grade: STD

- Set Size: 27 Pieces - 'A' through 'Z' (all Capitals) and '&'
- Sizes: 1mm, 1.5mm, 2mm, 2.5mm, 3mm, 4mm, 5mm, 6mm, 8mm, 10mm, 12mm and 20mm
- Suitable for use on:
 - Wood
 - Brass
 - Aluminium
 - Copper
 - Carbon Tool Steel
 - Bronze
 - Mild Steel



Art ID. 940



BOKER

Number PUNCH SET ('1' - '9') - Grade: STD

- Set Size: 9 Pieces - '0' through '9'
- Sizes: 1mm, 1.5mm, 2mm, 2.5mm, 3mm, 4mm, 5mm, 6mm, 8mm, 10mm, 12mm
- Suitable for use on:
 - Wood
 - Brass
 - Aluminium
 - Copper
 - Carbon Tool Steel
 - Bronze
 - Mild Steel



Art ID. 941



+ MUCH

MUCH MORE

MADE IN GERMANY

- TAPS, DIES
- MEASURING & MARKING
- EXTRACTORS
- SAWS & FILES



**SPEND OVER
\$1490.00*
ON**

sglocks.com.au

**In the one order
AND RECEIVE
a crisp SGLOCKS \$100 Bill**



**SGLOCKS
\$100 Bill to
Spend on**

sglocks.com.au

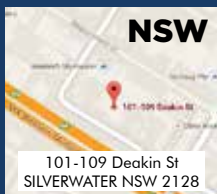
***SG \$100 Bill can be redeemed
up to 5pm 30 June 2023**

" SGLOCKS \$100 Edition Promo " valid until 30th April 2023 or whilst stocks last.* Free Promotion item is only valid for online orders * Pricing shown excludes GST pricing as of 01/03/2023 and is subject to change. For most accurate pricing please check the SGLOCKS website.



Head Office
PH : 02 9352 0600
FAX: 02 9748 0566

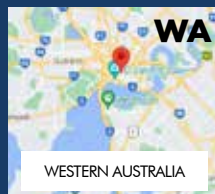
**Your Sales
Managers:**



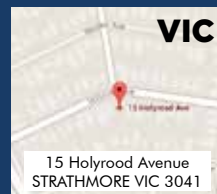
NSW
Colin McFarland
0491 445 005



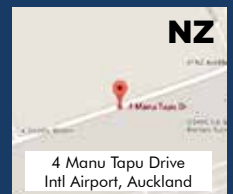
QLD
Vince Carson
0437 770 576



WA
Western Australia
Cole Cullen
08 6383 7533



VIC
Henry Guldon
0400 613 714



NZ
NZ Toll Free
0800 00 15 98